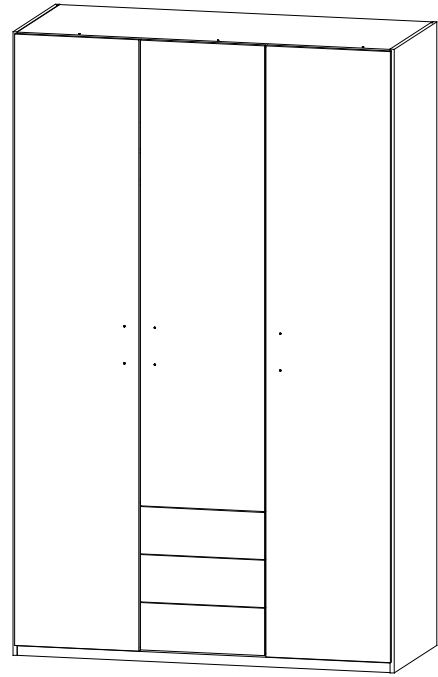
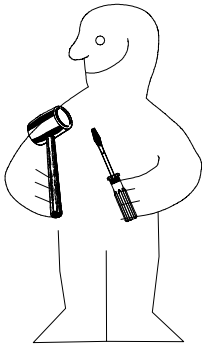
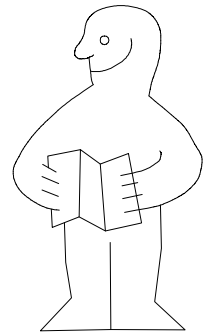
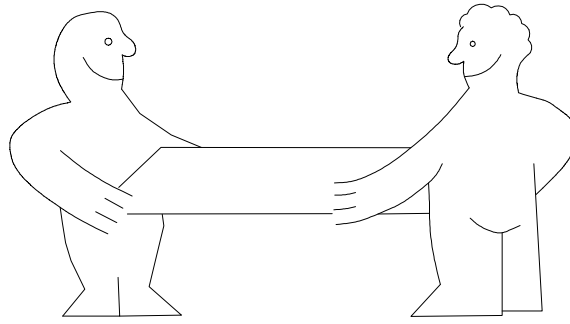
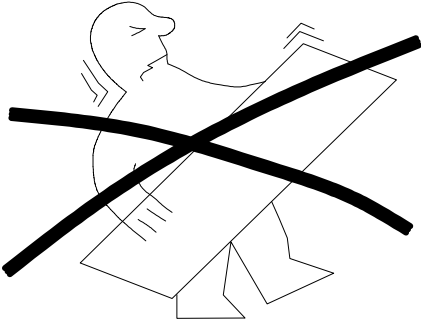


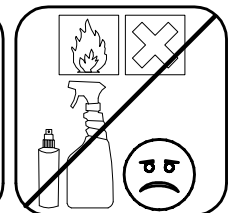
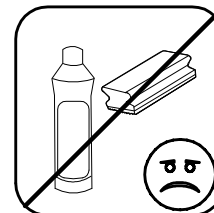
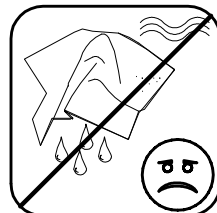
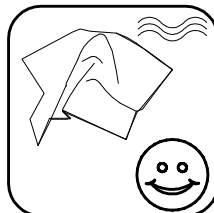
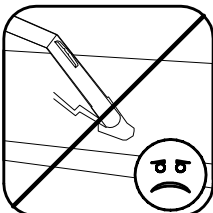
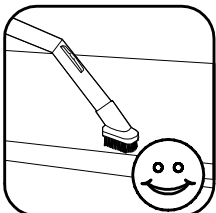
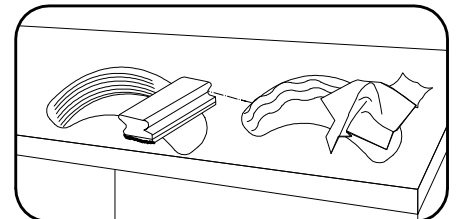
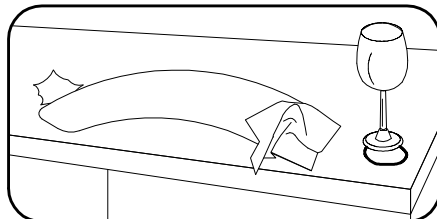
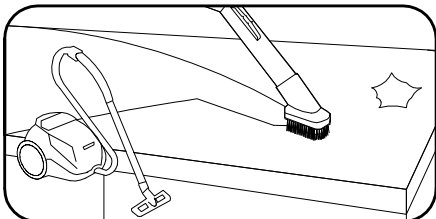
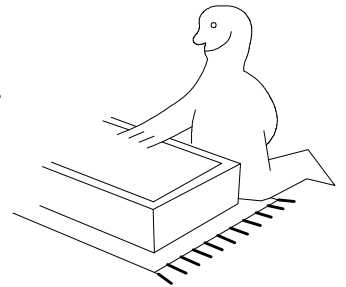
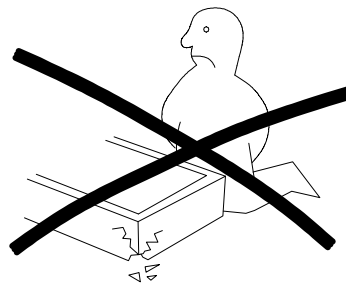
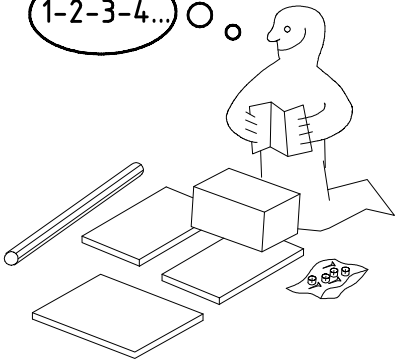
980564



NSP 135







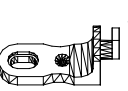
1-2-3-4...


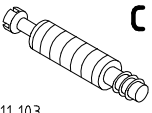

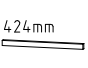



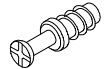

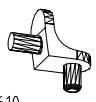

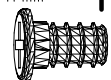
980564

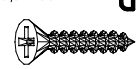
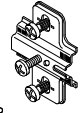

17.03.14 / -

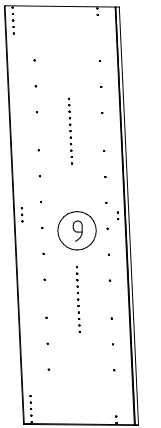
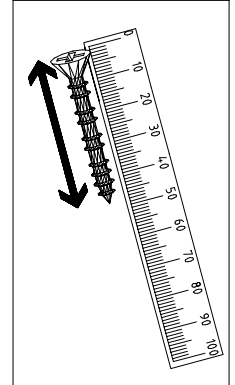
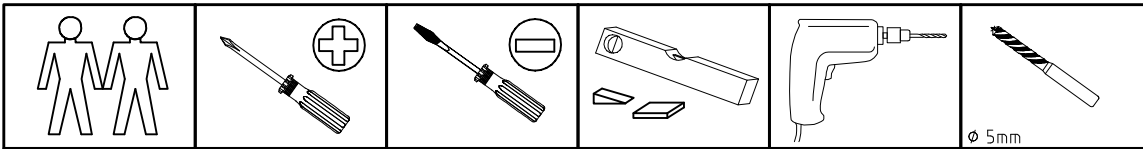
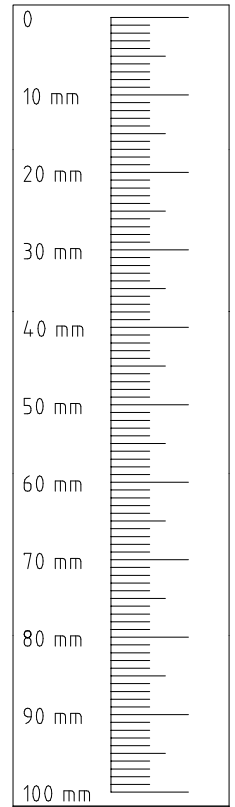
03 14 | 1/11

 111 252	VB23	4x
 111 102 M4 x 9 mm	A	14x
 111 015	G8	6x
 117 001	K1	4x
 111 174	J1	4x

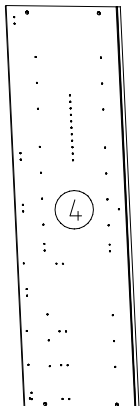
 163 007	Z	1x
 111 103	C	14x
 112 190	Y20	6x
 424mm 112 403	K21	1x
 870mm 112 402	K20	1x

 111 229	F	4x
 3,5 x 15 mm 121 370	G1	8x
 111 610	L7	8x
 M6 x 10 112 616	T3	12x
 M6 x 11 mm 121 181	T6	4x

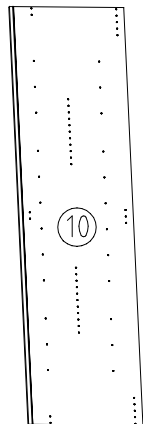
 3,5 x 35 mm 121 375	G14	6x
 112 268	M	9x
 112 267	N	9x



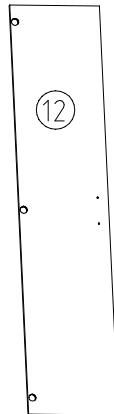
2064x560x15



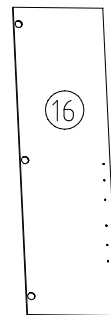
2001x560x15



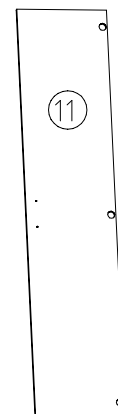
2064x560x15



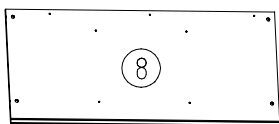
2021x439x15



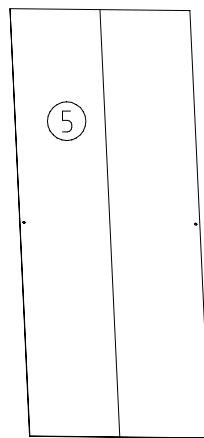
1518x439x15



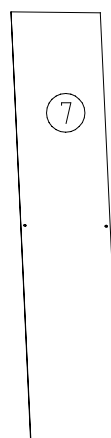
2021x439x15



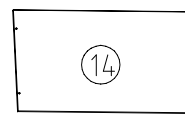
1317x560x15



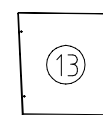
2015x882x2,5



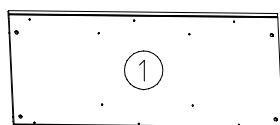
2015x438x2,5



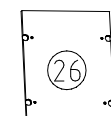
873x500x18



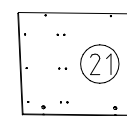
429x500x18



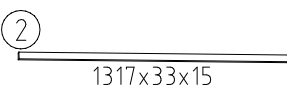
1317x560x15



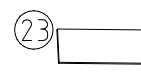
429x540x18



540x500x15

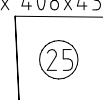


1317x33x15

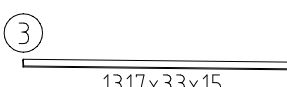


3x 439x164x15

3x 408x434x2,5



25



1317x33x15

24

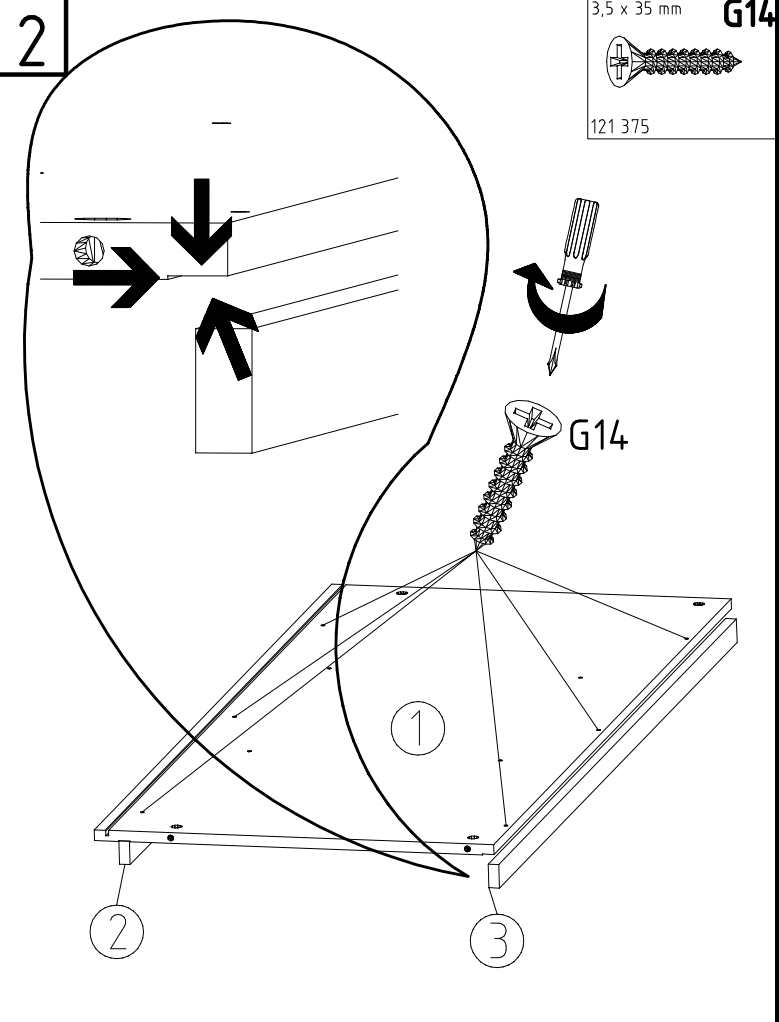
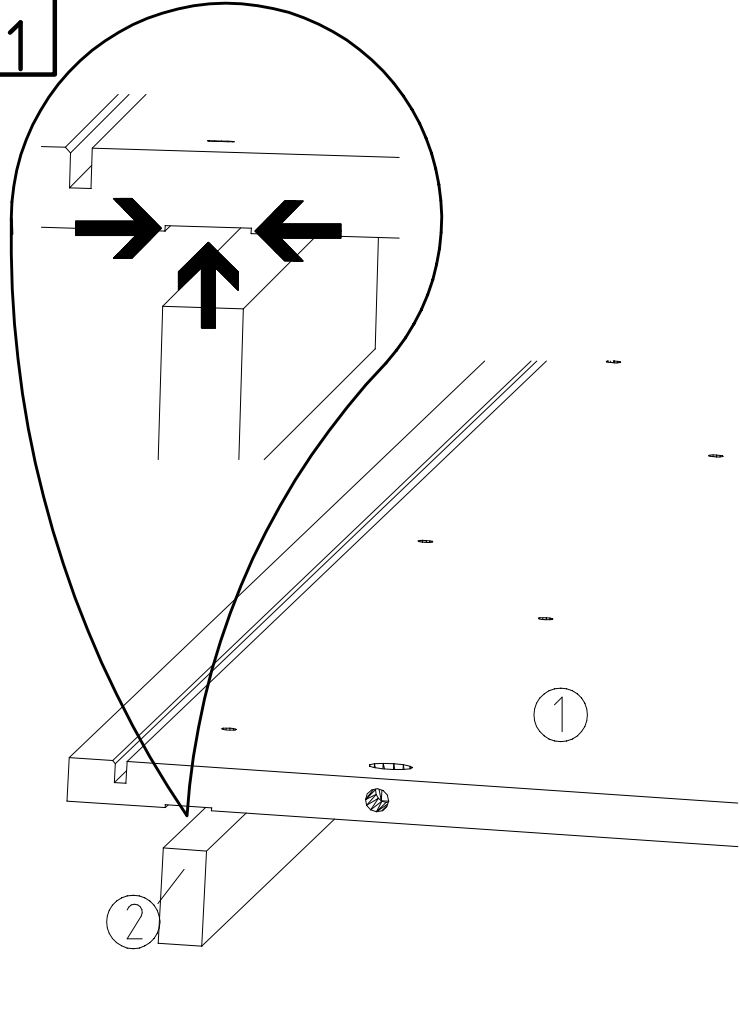
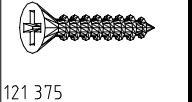


3x 439x422x439x92

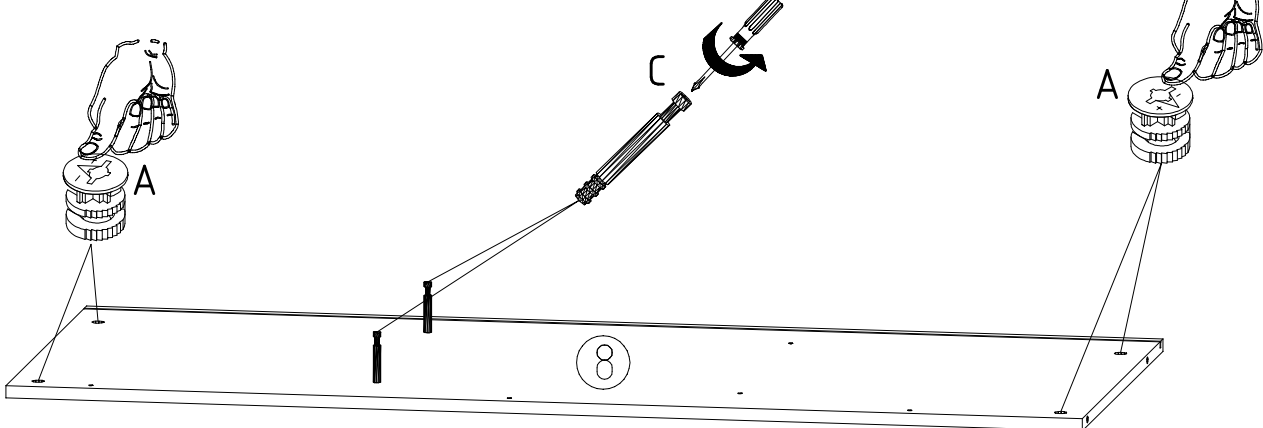
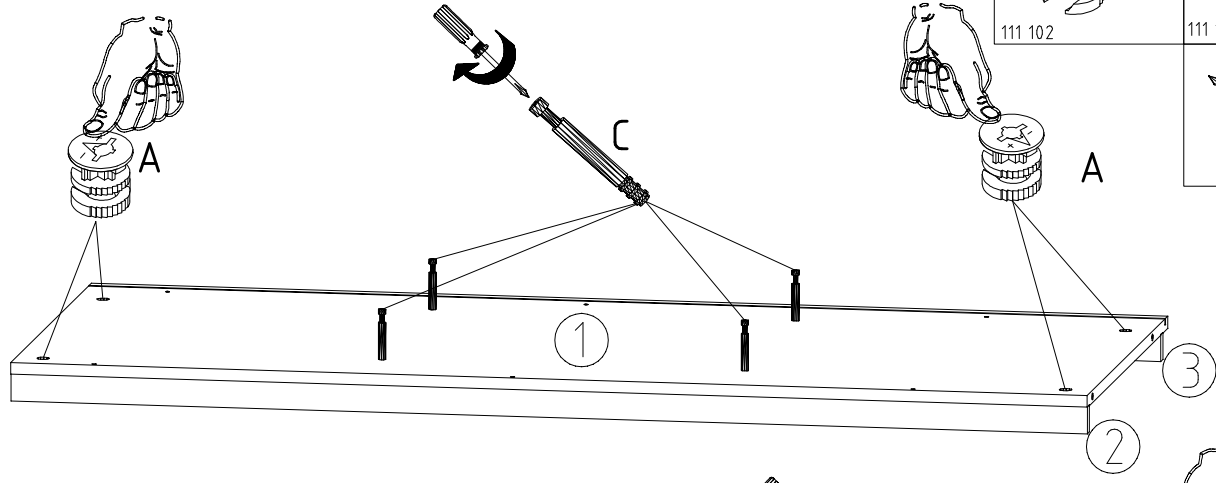
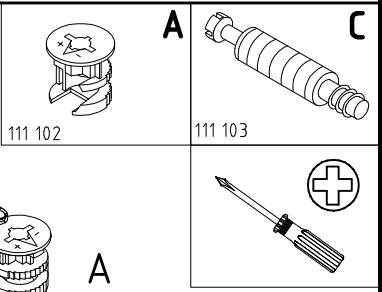
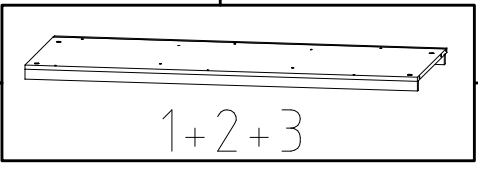
1

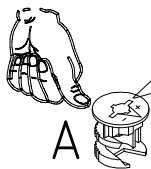
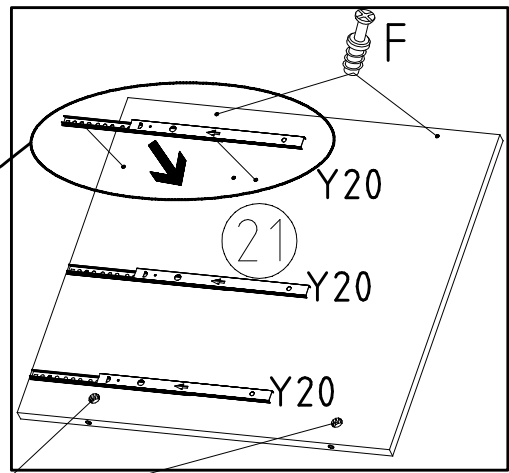
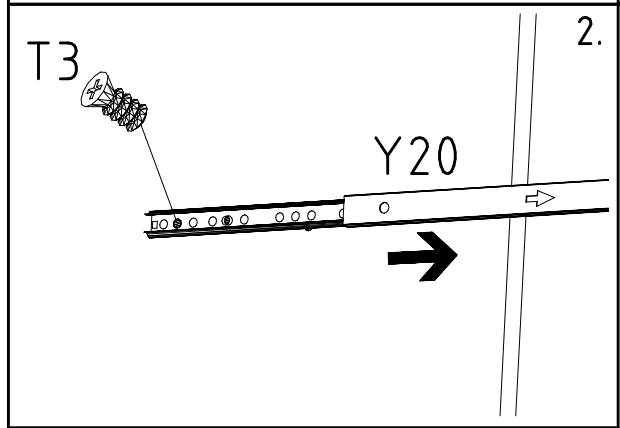
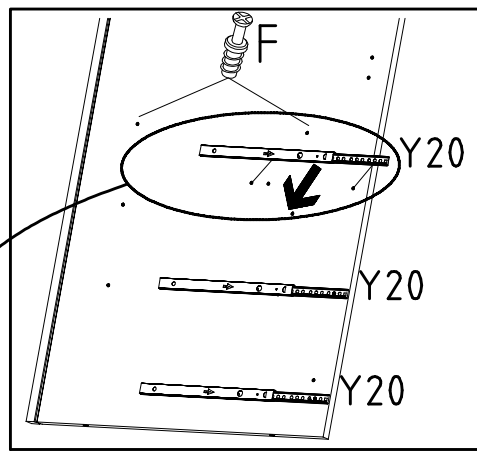
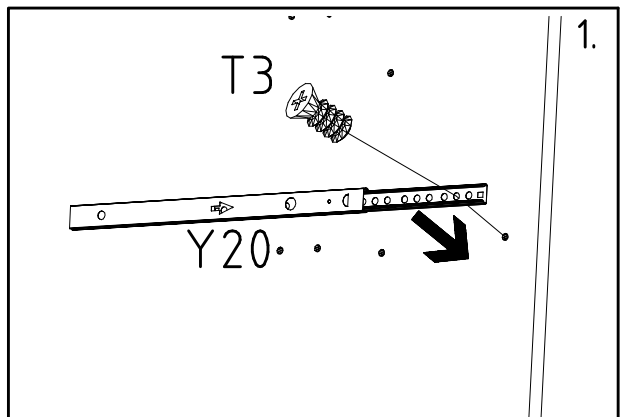
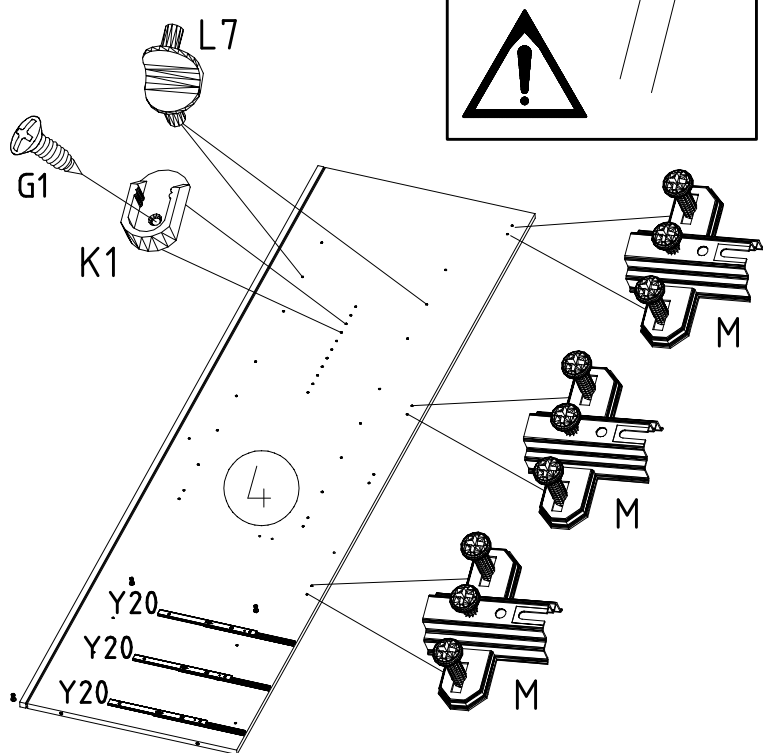
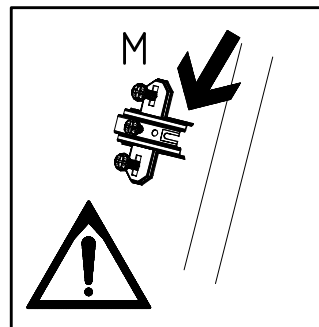
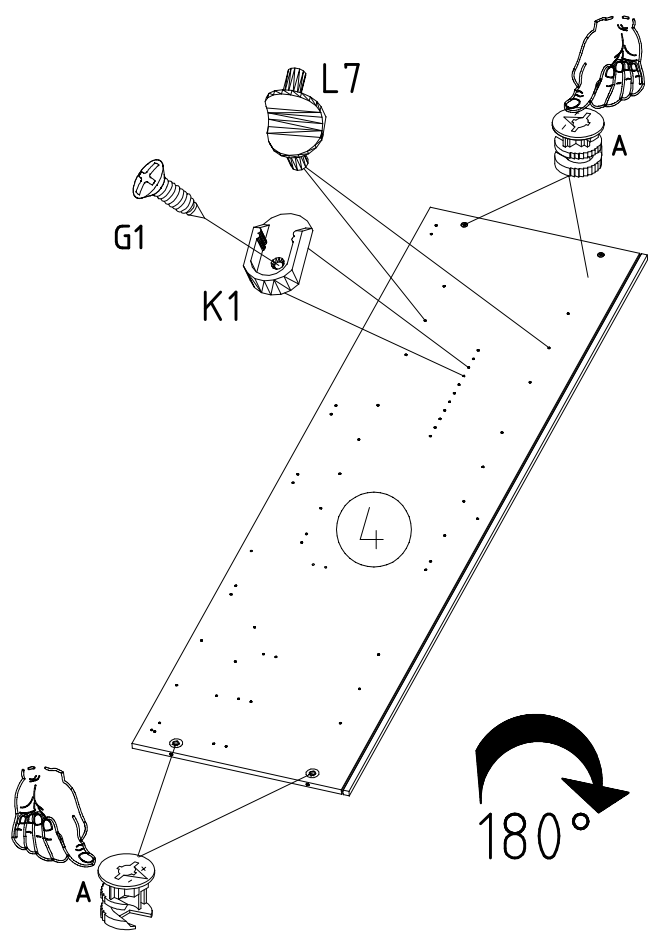
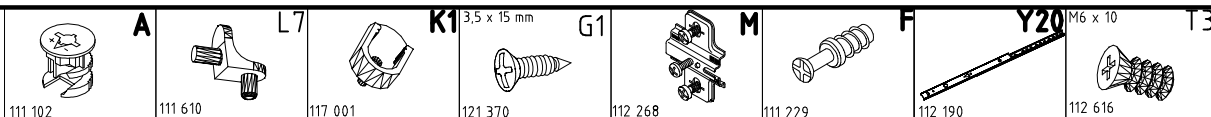
2

3,5 x 35 mm G14

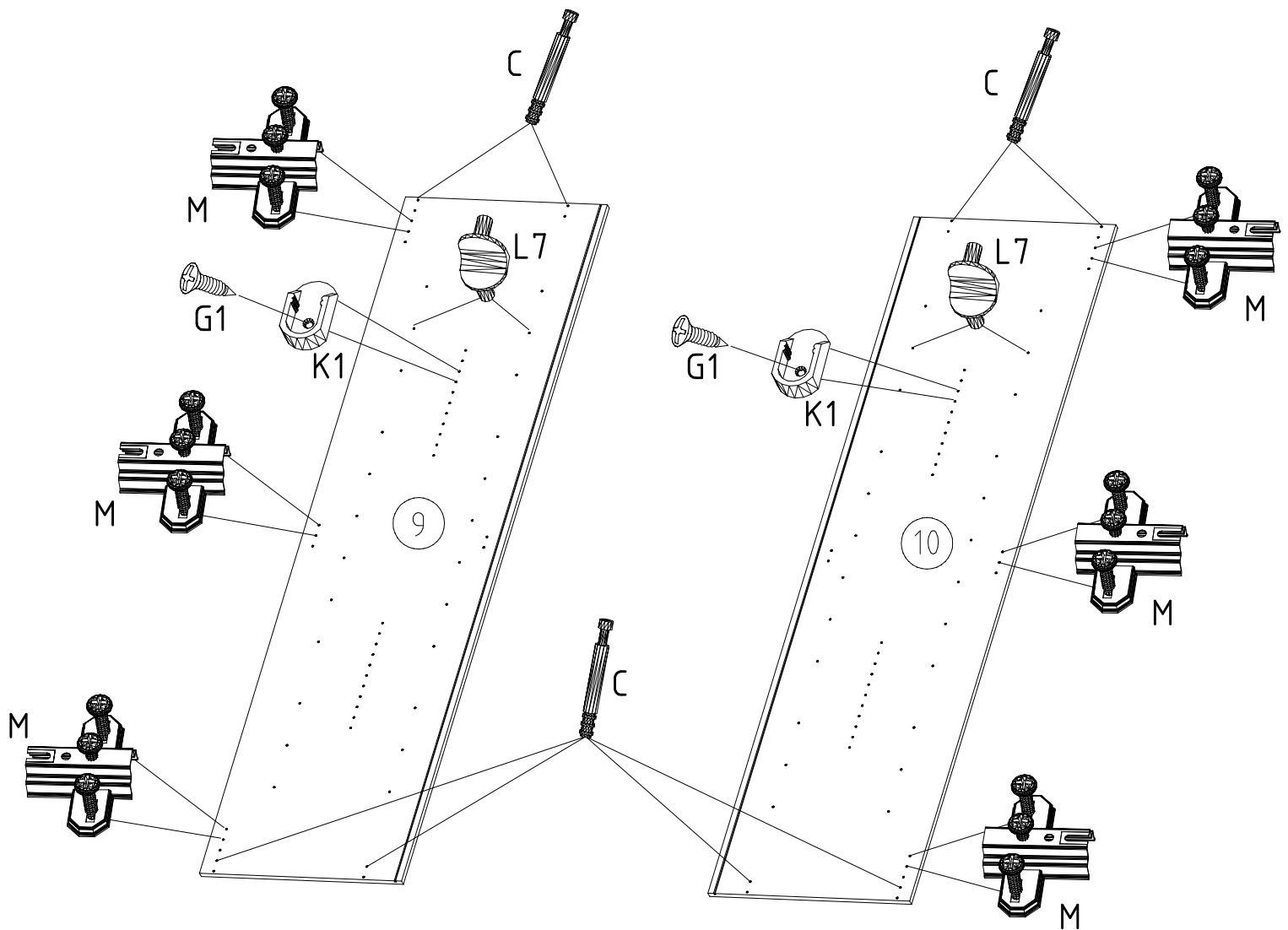
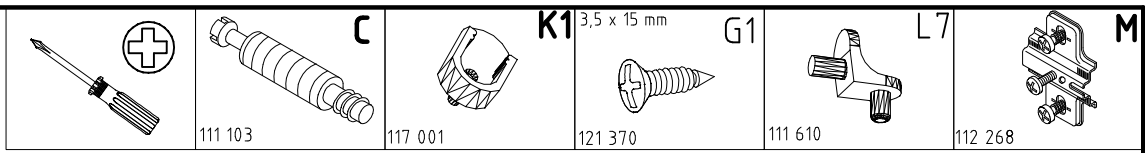


3

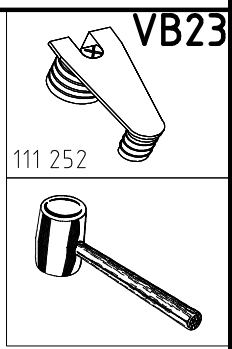
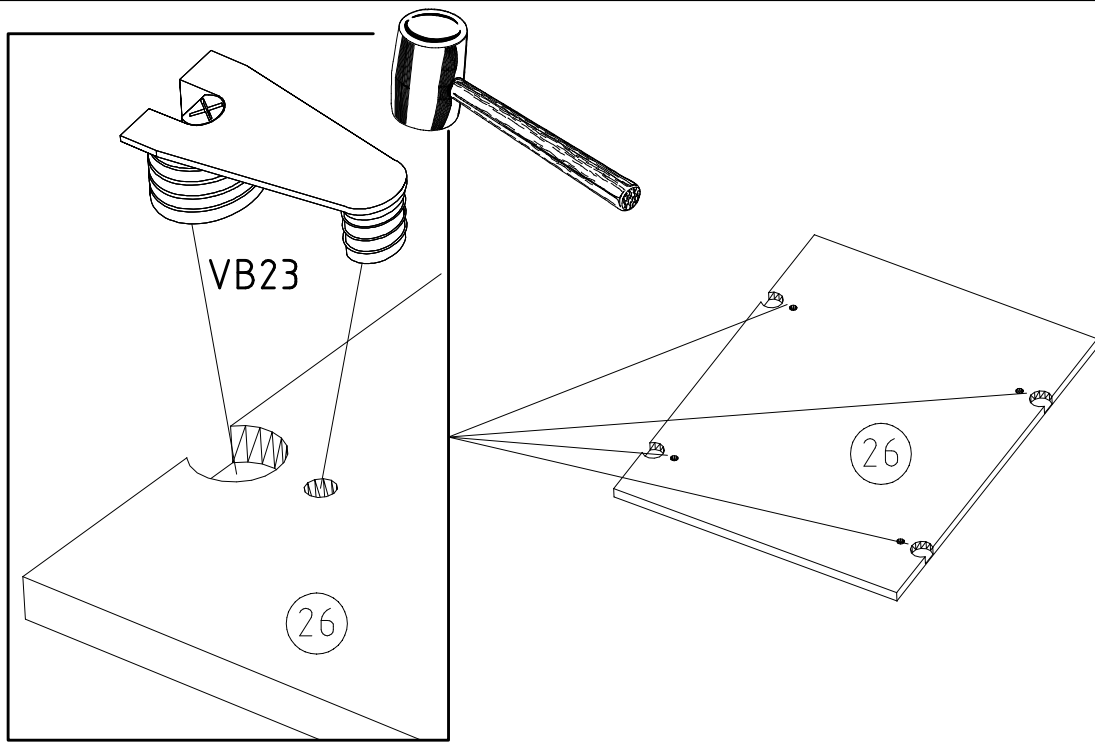




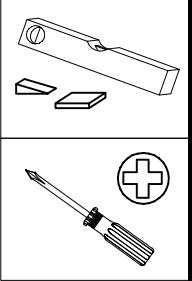
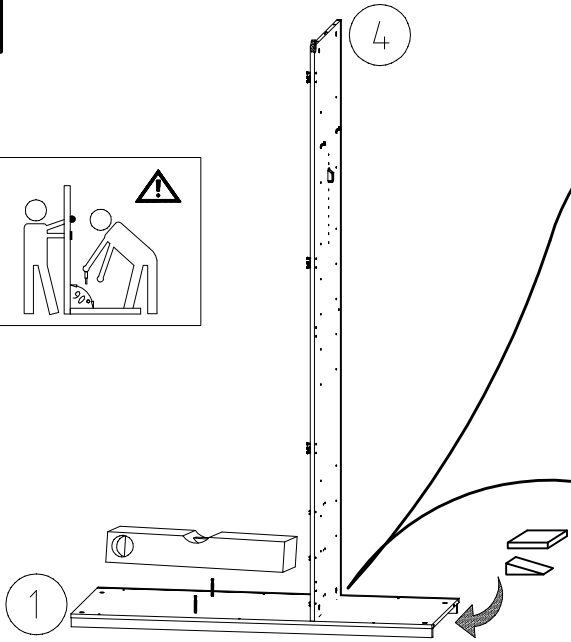
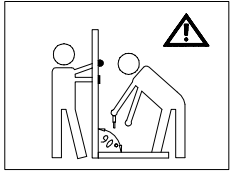
5



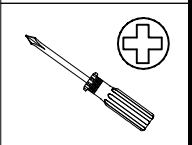
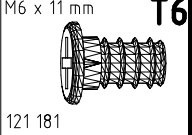
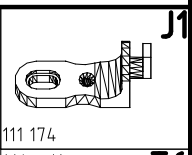
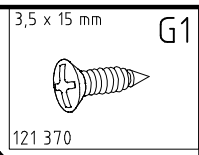
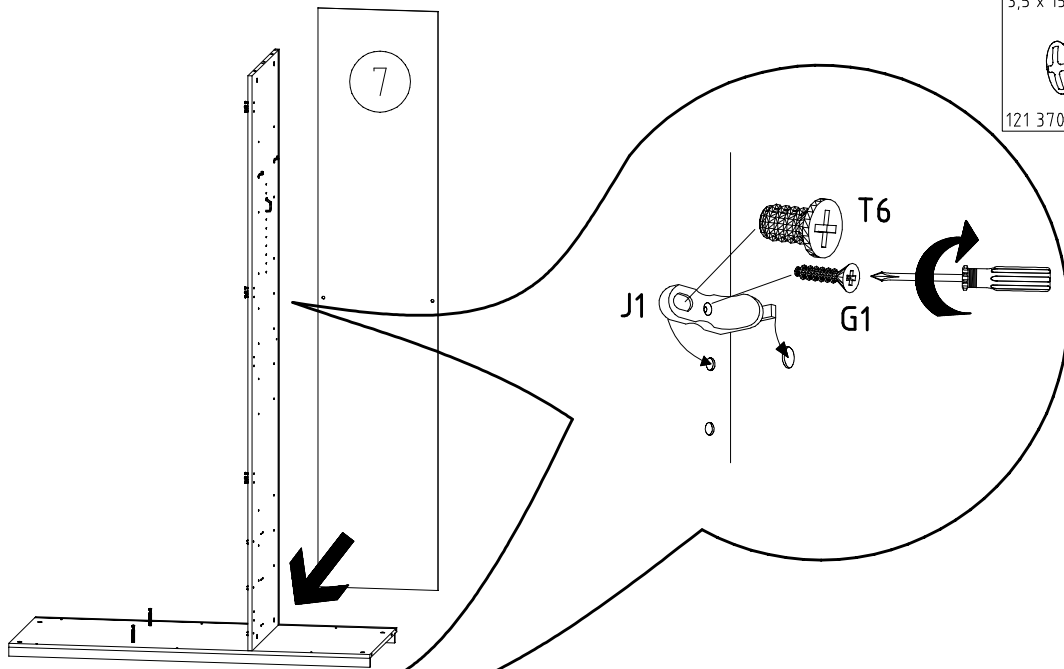
6



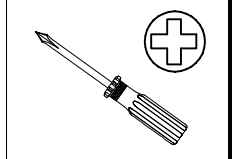
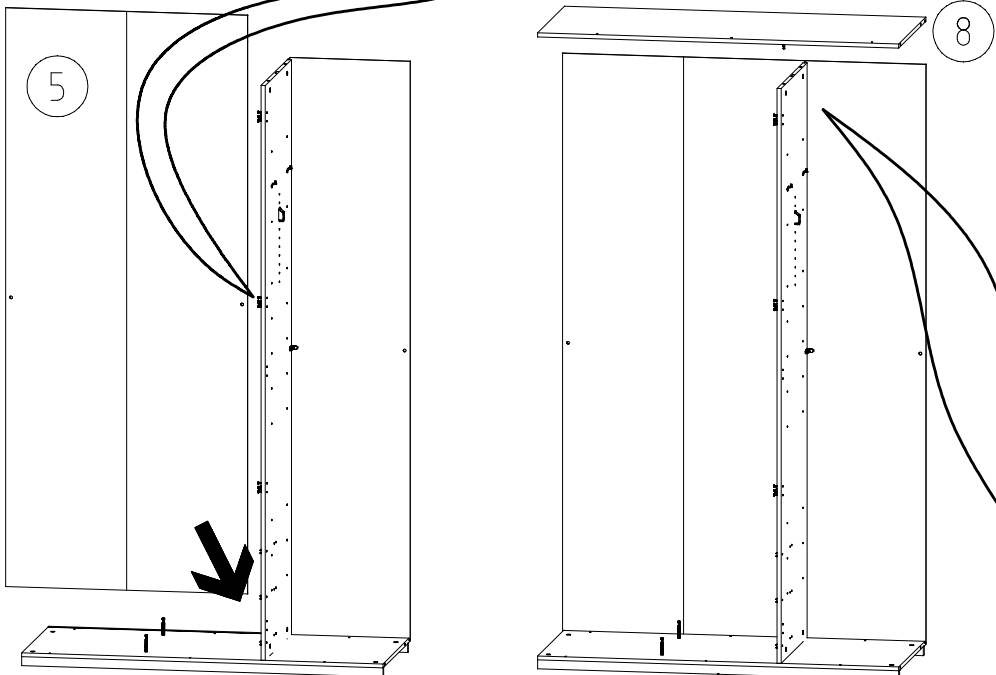
7

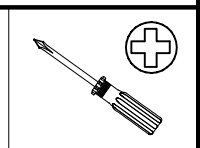
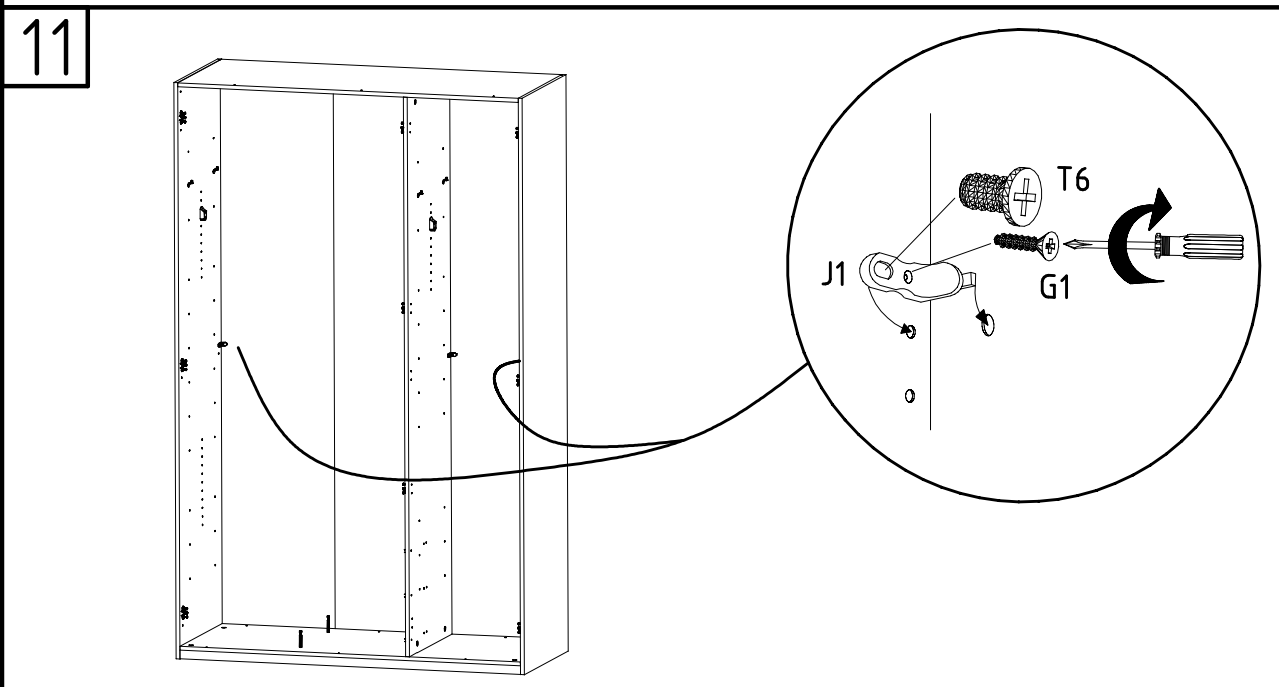
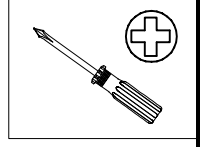
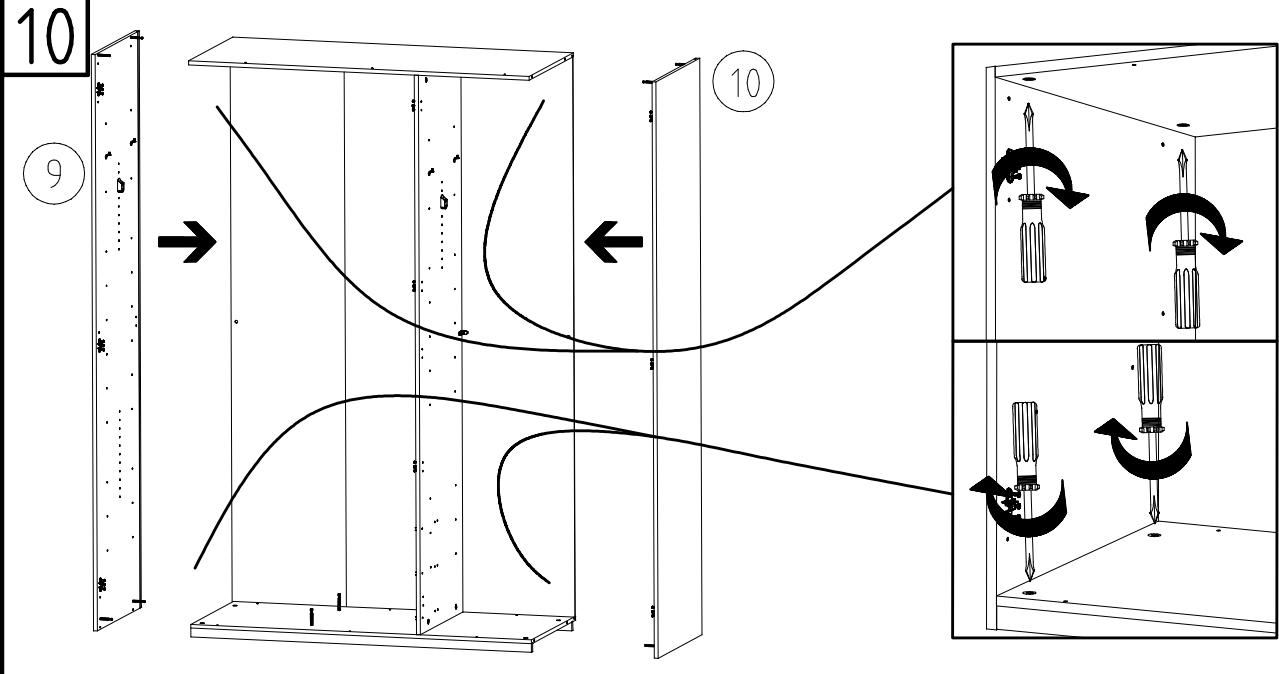


8

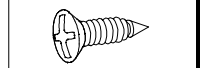


9

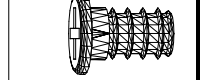




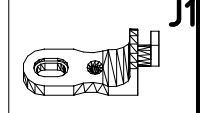
3,5 x 15 mm G1



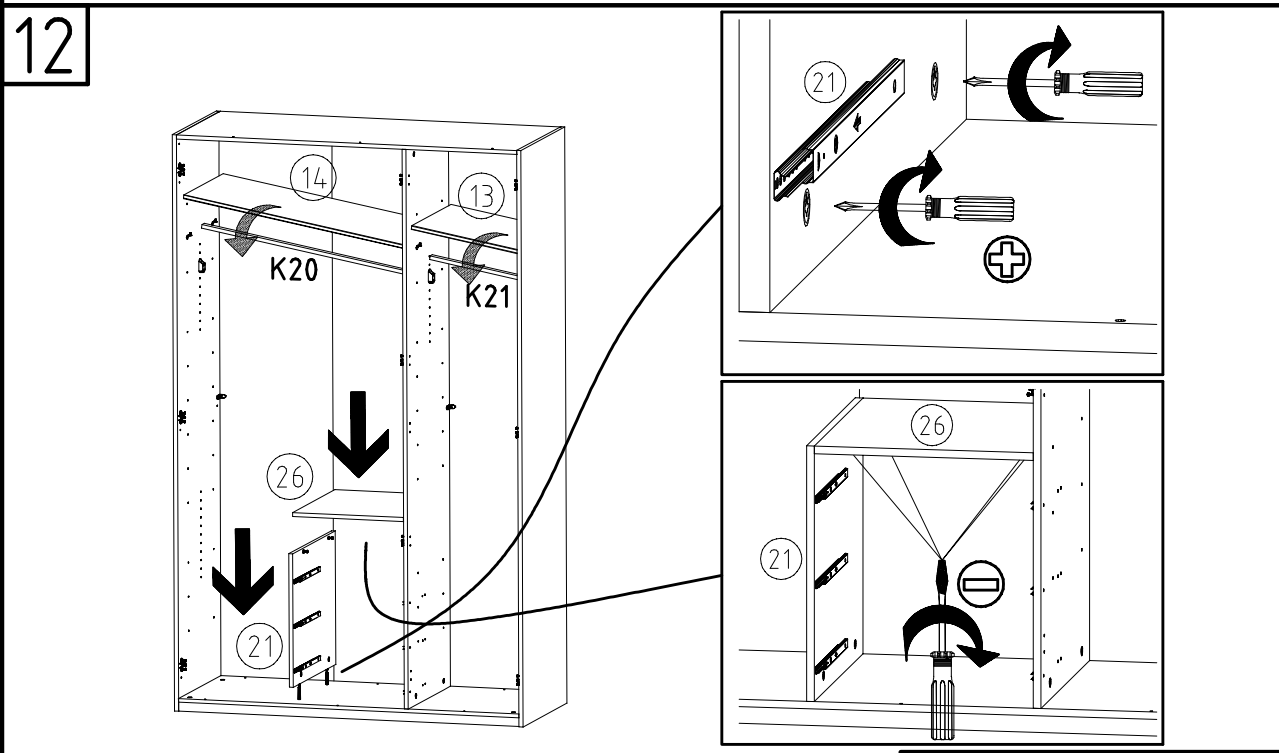
121 370 M6 x 11 mm T6



121 181



111 174



870mm K20

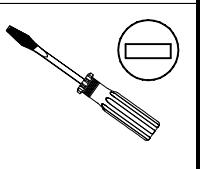
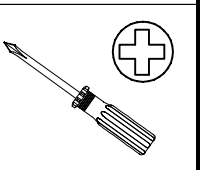


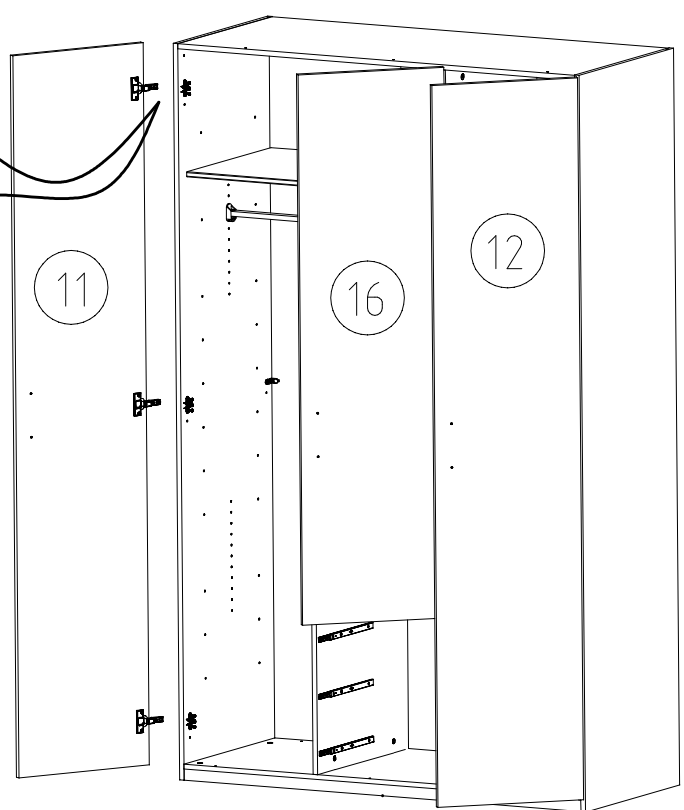
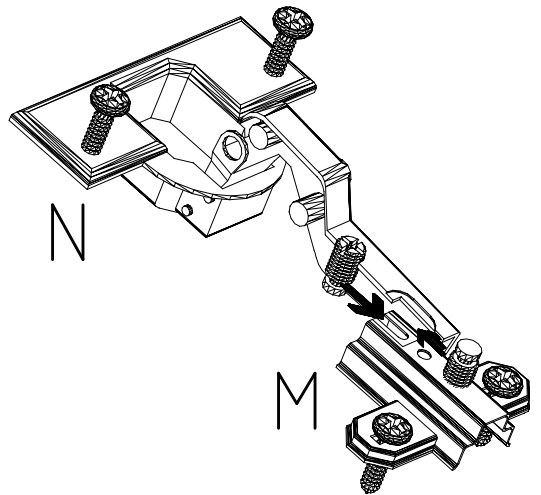
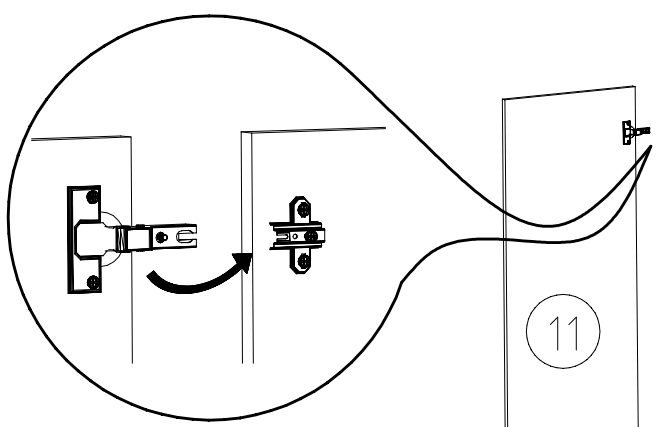
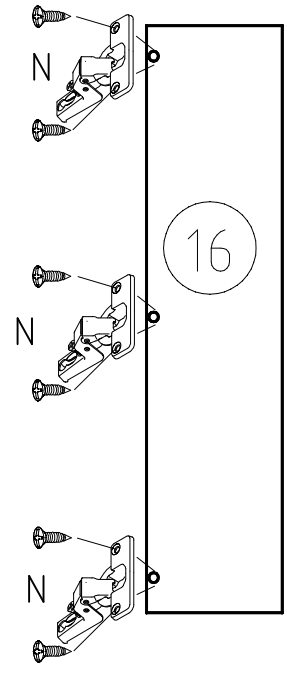
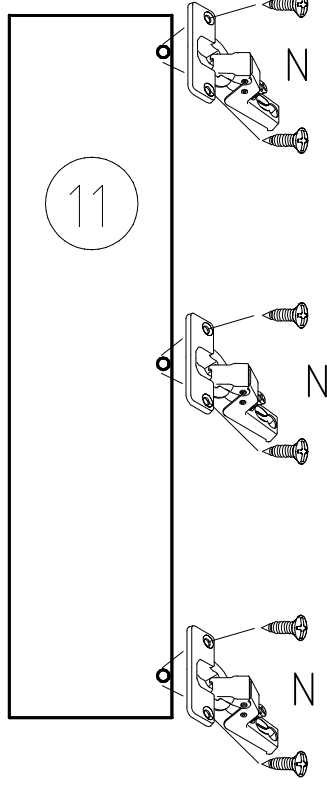
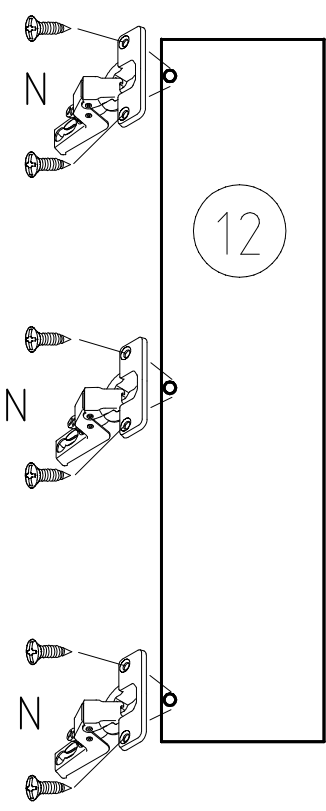
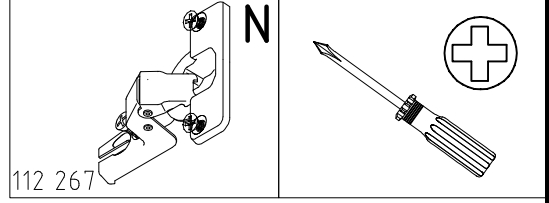
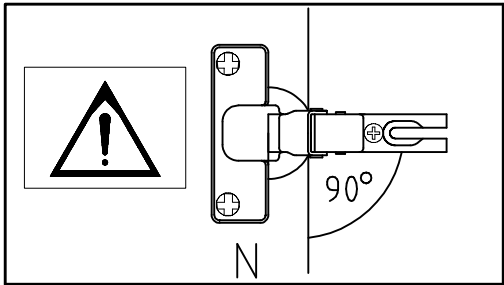
112 402

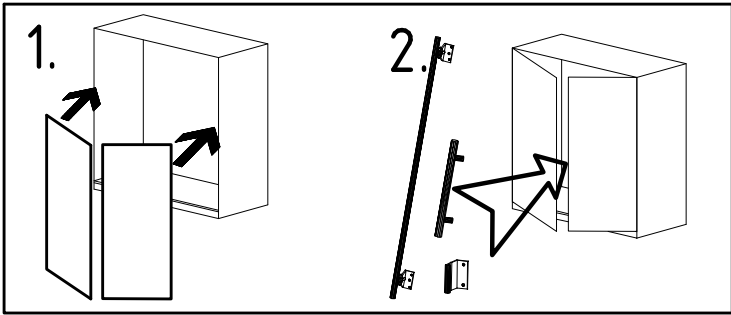
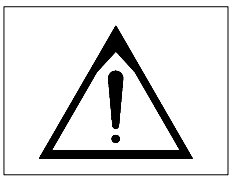
424mm K21



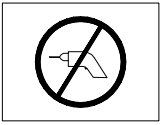
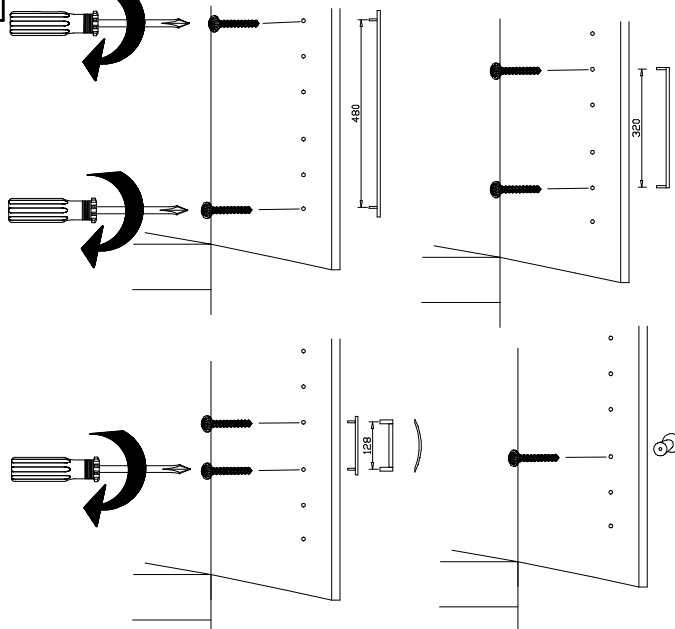
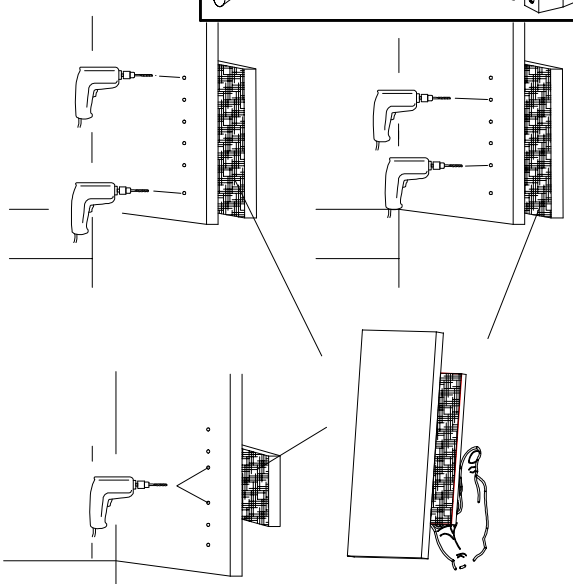
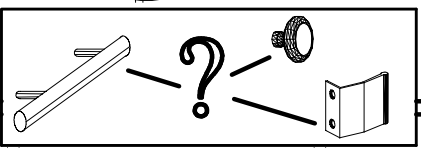
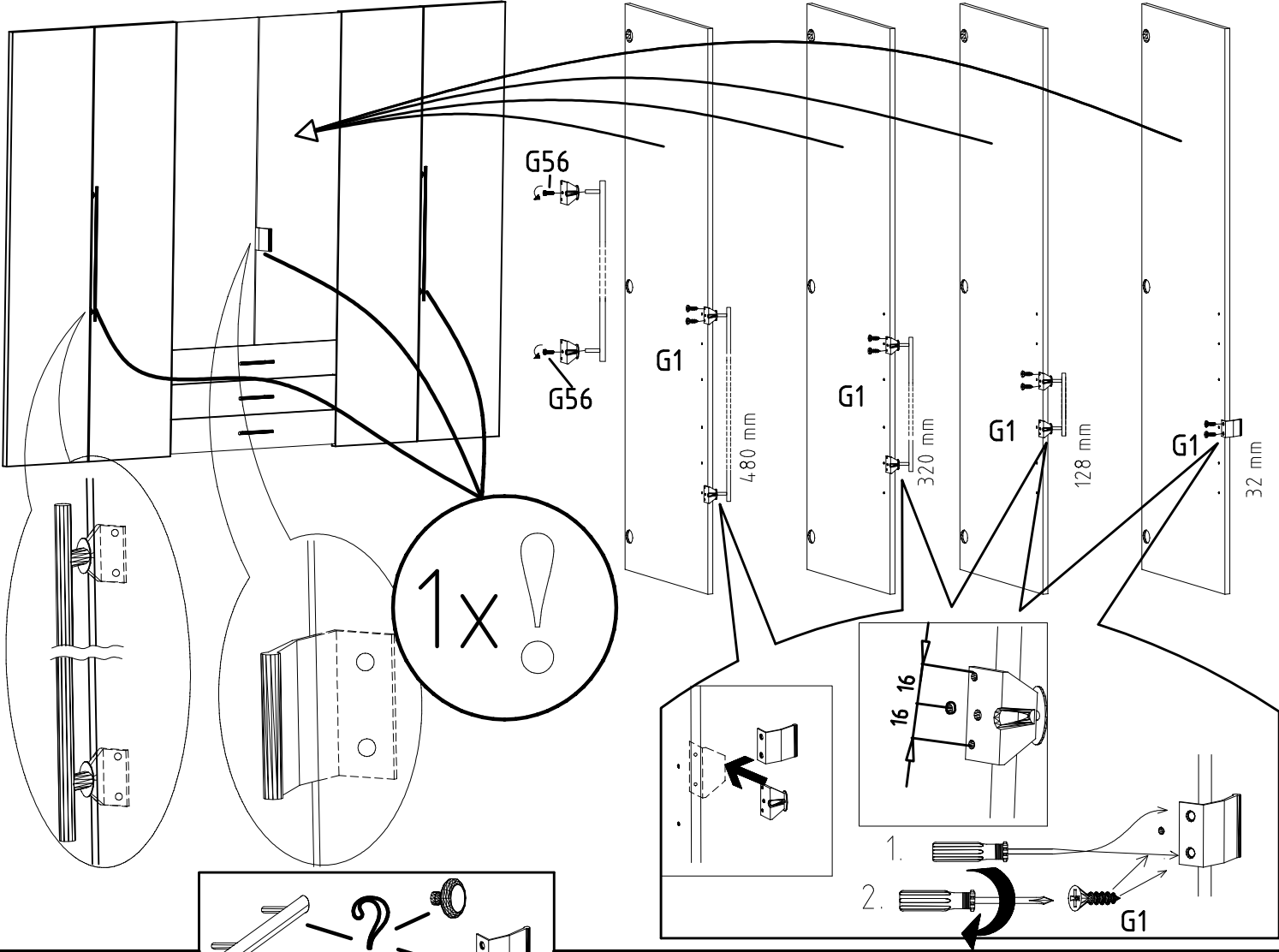
112 403



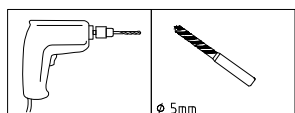




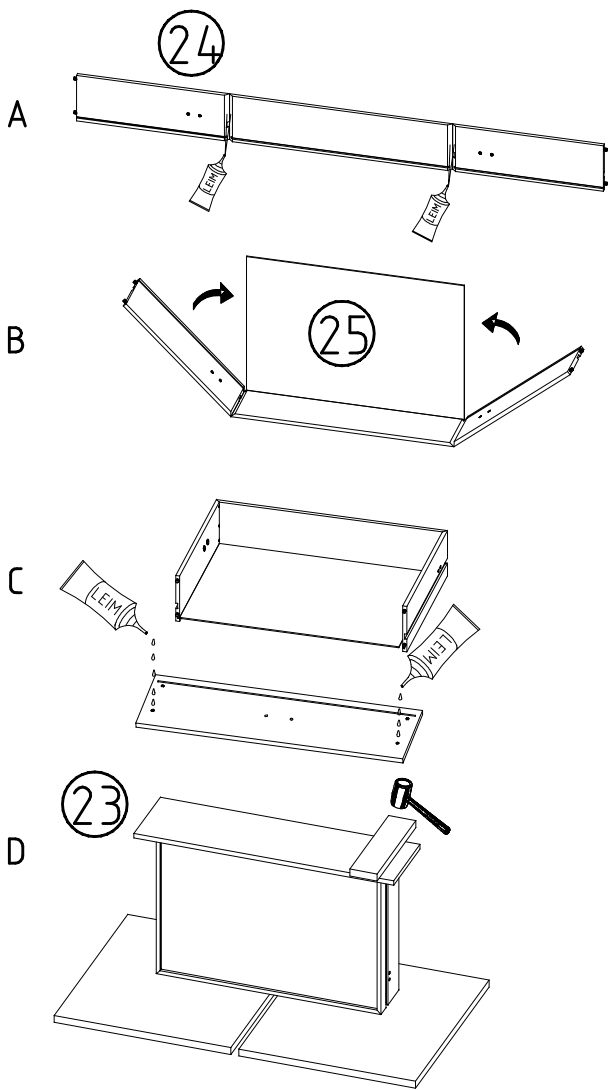
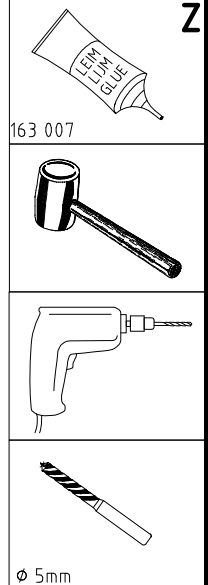
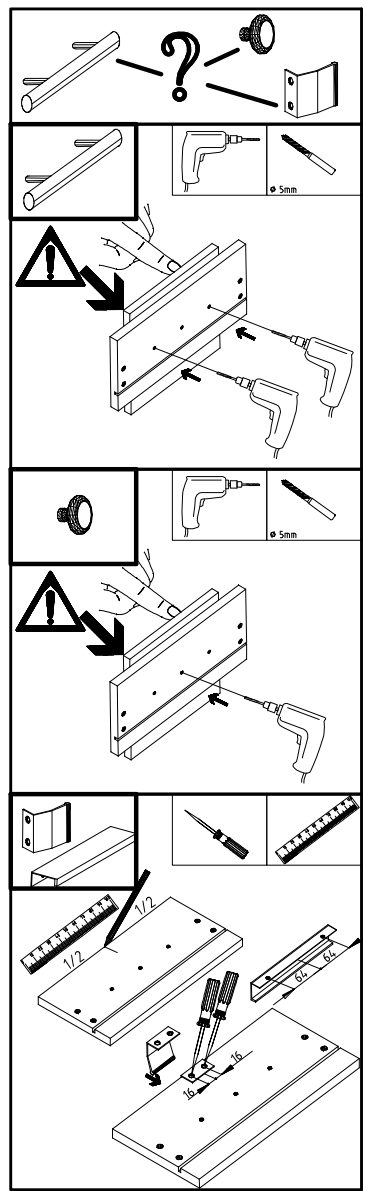
3,5 x 15 mm 121 370	G1	4,0 x 12 mm 122 625	G56
------------------------	----	------------------------	-----



	SP27
4 X 27mm	
122620	
4,0x22	G49
122 609	



15



16

