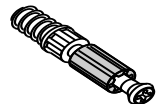


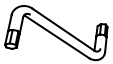





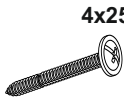
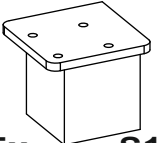



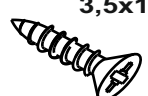




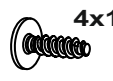



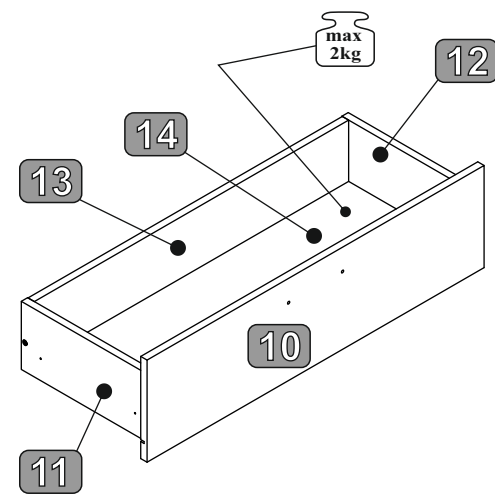
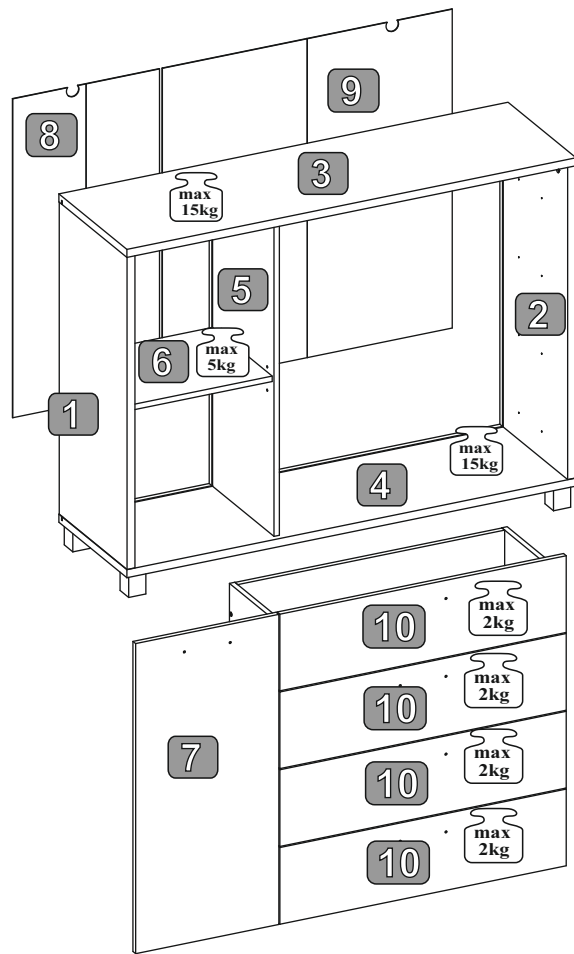
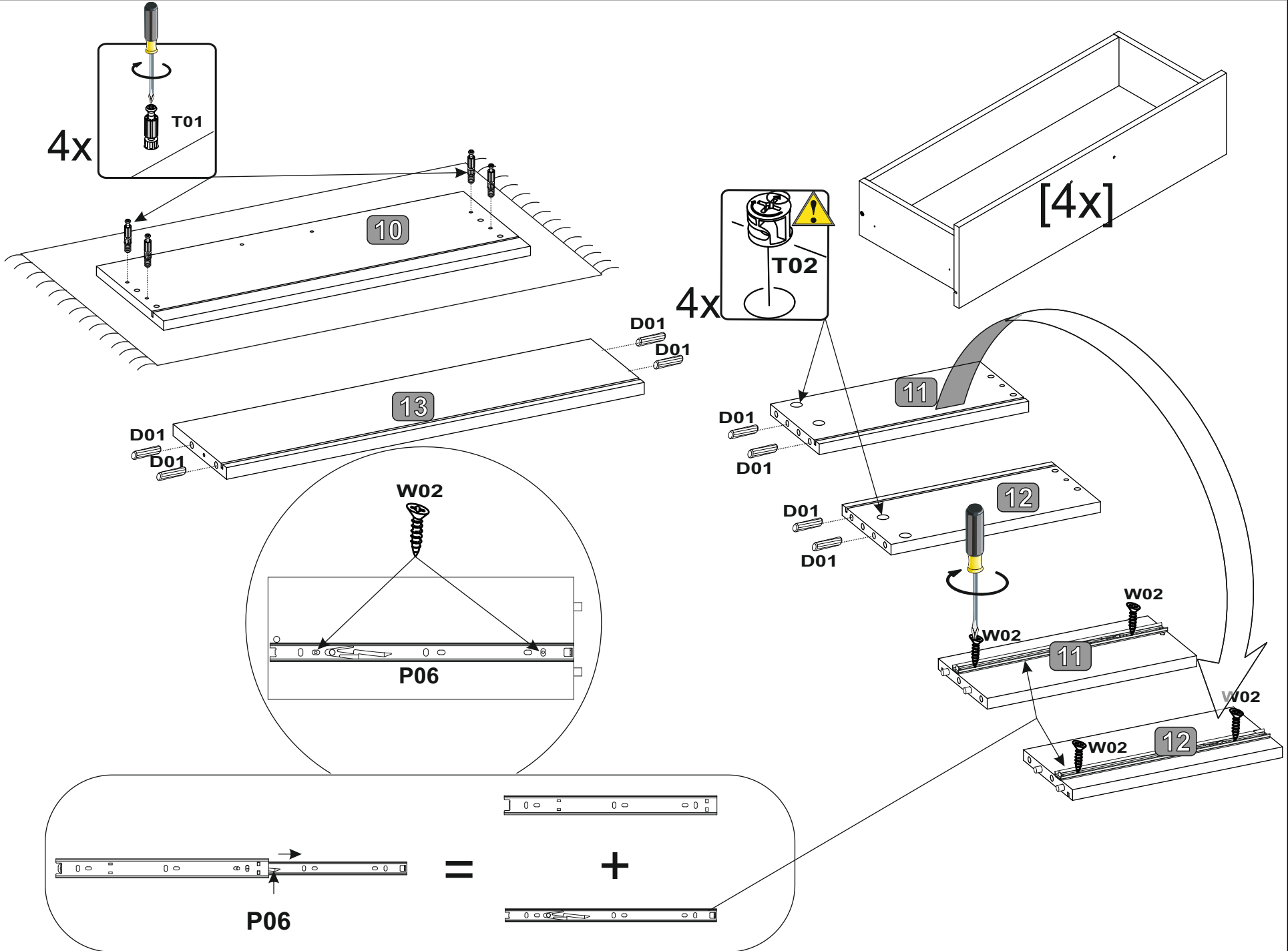
 15x12 22x T02	 22x T01	 8x28 44x D01	 7x50 6x W04	 Z4 1x K01	 5x40 8x W16	 Z3 1x K02	 8x P06	 3,5x13 56x W02	 5x U41
 4x25 10x W05	 5x S11	 4x16 20x W25	 KR-15 2x Z01	 2x Z04	 3,5x16 4x W30	 4x E01	 30x R01	 2x C01	 2x P01
 4x13 4x W07	 2x F01	 2x F11	 4x WS1						

NR	DIM	QTE	COLLI
1	855x379x22	1	2/2
2	855x379x22	1	2/2
3	1255x380x22	1	2/2
4	1255x380x22	1	2/2
5	855x362x15	1	2/2
6	397x333x15	1	1/2
7	849x400x15	1	1/2
8	873x410x2	1	1/2
9	873x810x2	1	1/2
10	800x210x15	4	1/2
11	300x140x15	4	1/2
12	300x140x15	4	1/2
13	746x140x15	4	1/2
14	757x297x2	4	1/2



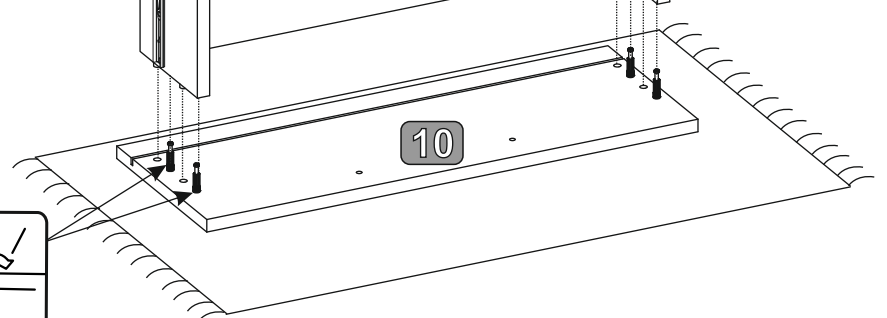
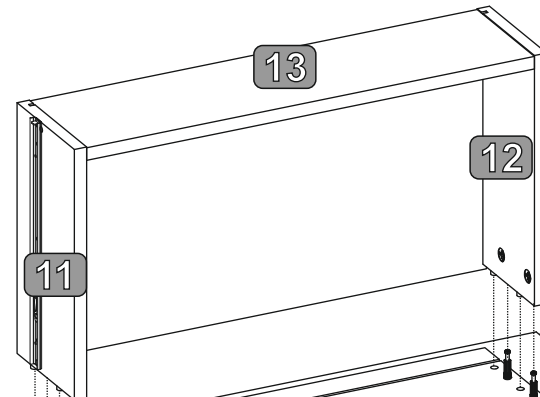
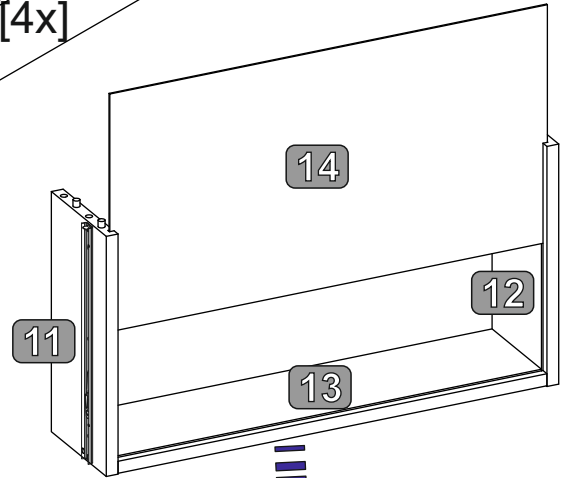
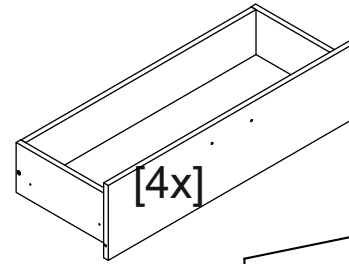
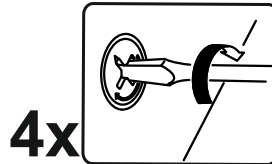
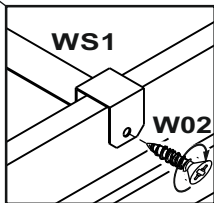
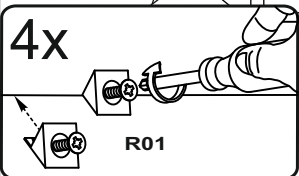
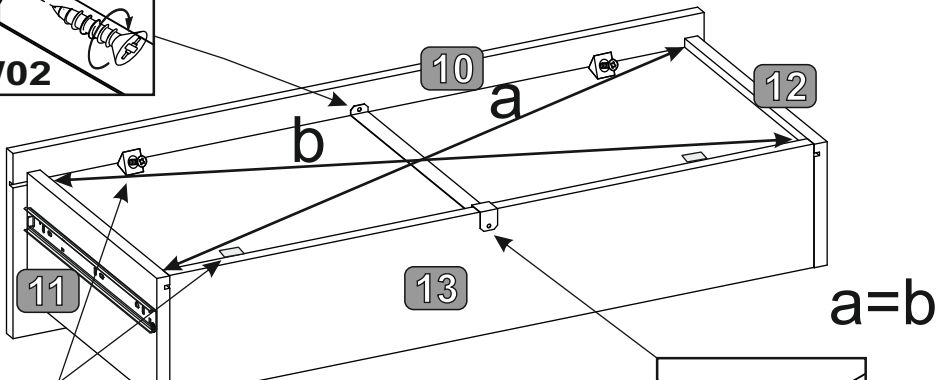
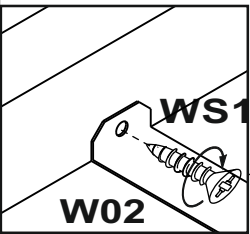
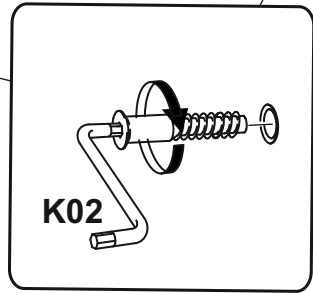
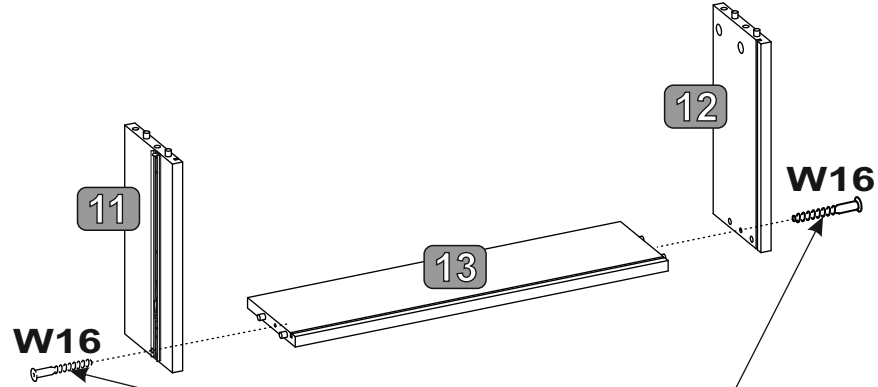
1

- 3,5x13  
16x W02
- 8x P06
- 8x28  
32x D01
- 16x T01
- 15x12  
16x T02
- 3,5x13  
16x W02



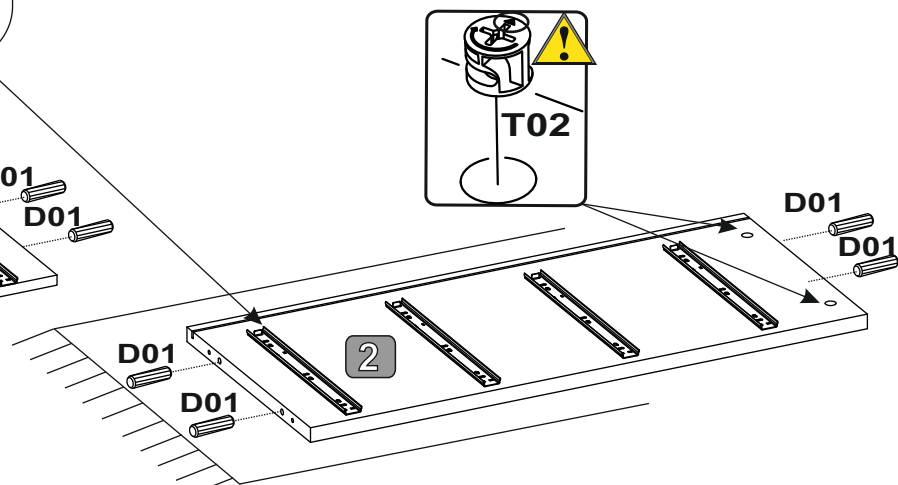
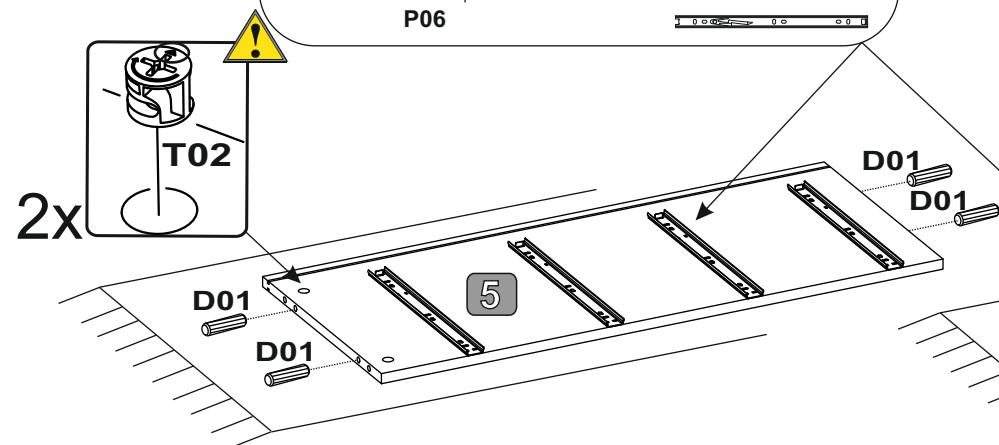
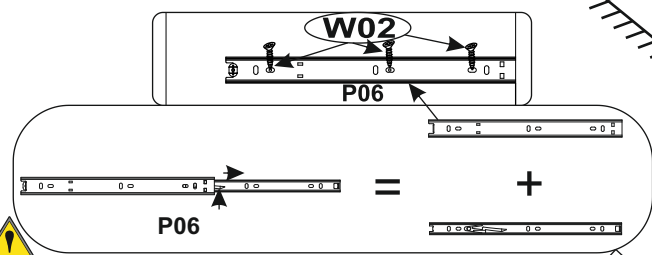
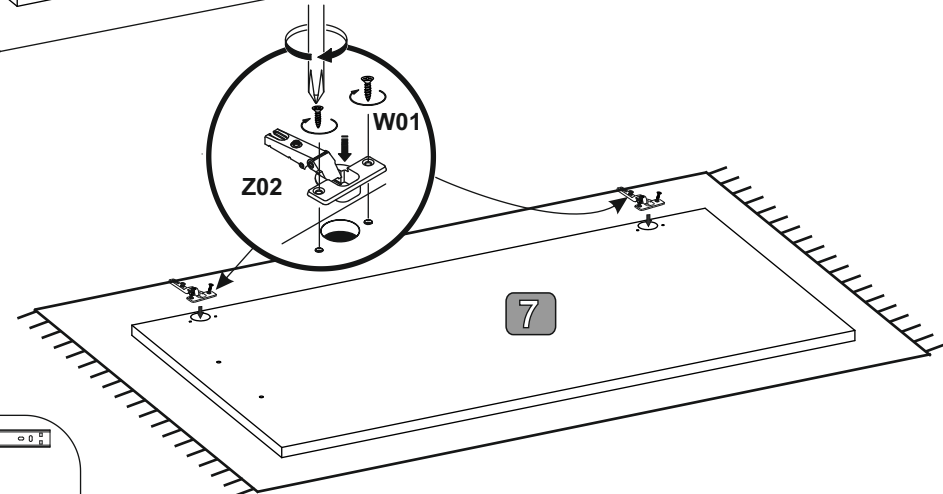
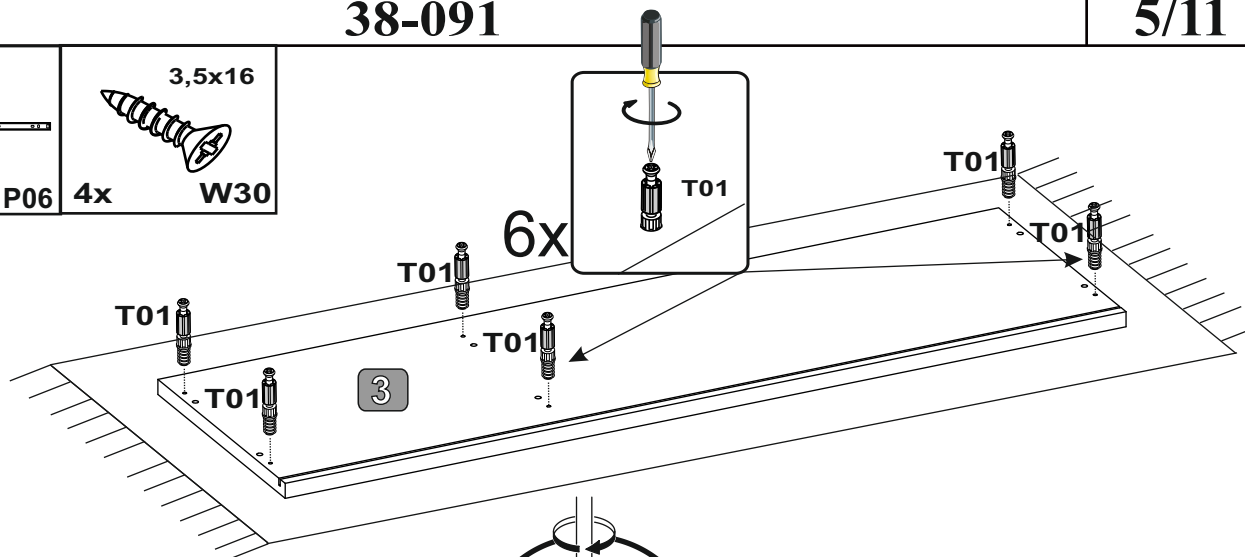
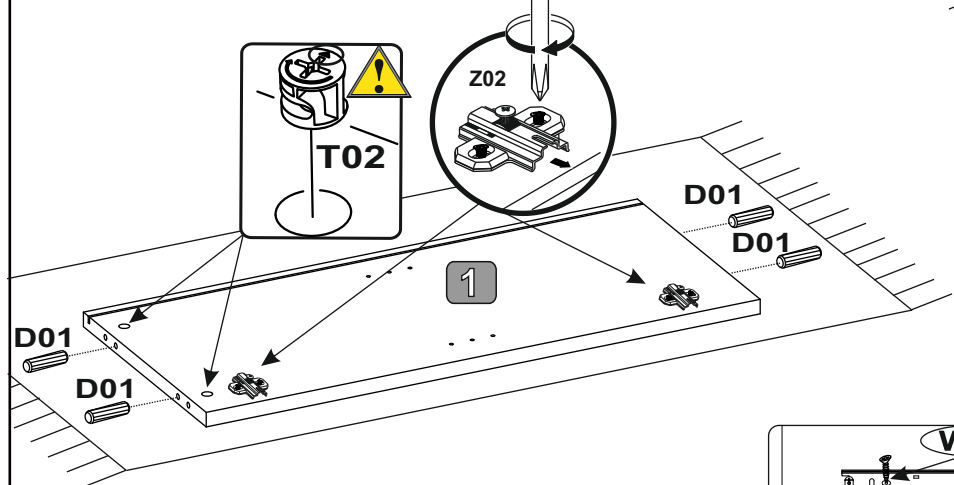
2

- 8x 3,5x13 W02
- 4x WS1
- 16x R01
- 1x K02
- 8x 5x40 W16

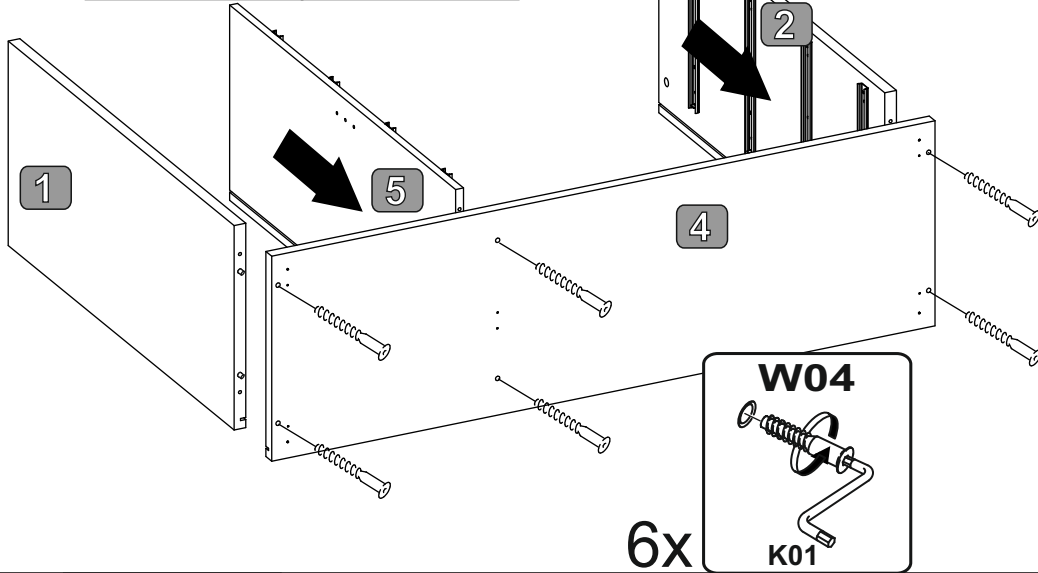
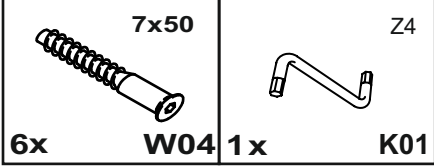


## 3

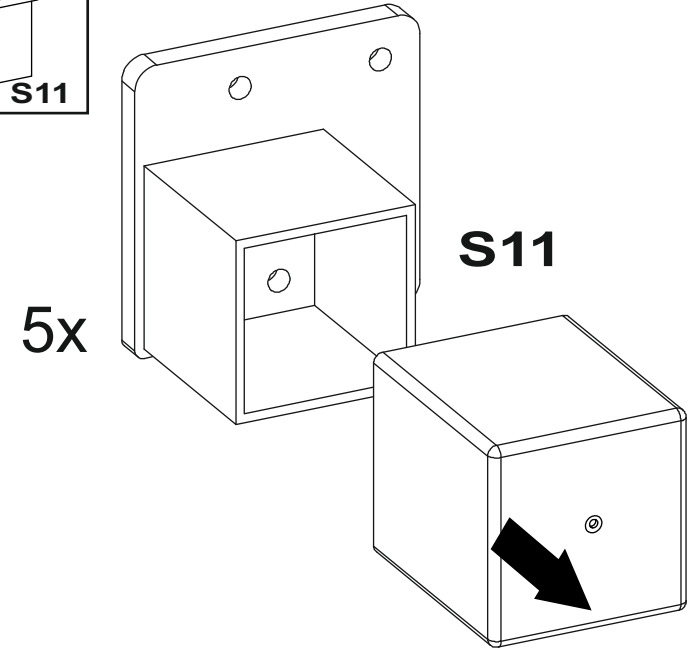
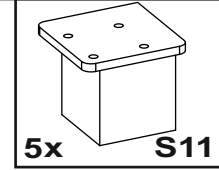
15x12 6x T02		6x T01		2x Z04		8x P06		4x W30	
8x28 12x D01		3,5x13 24x W02		KR-15 2x Z01					



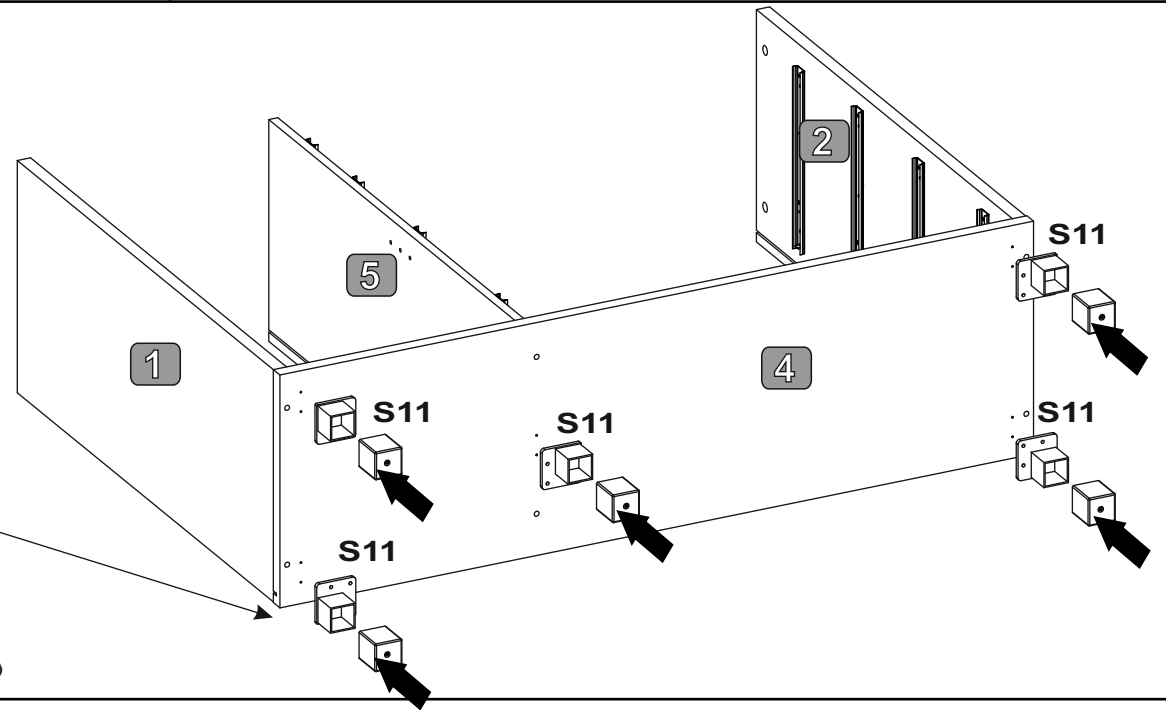
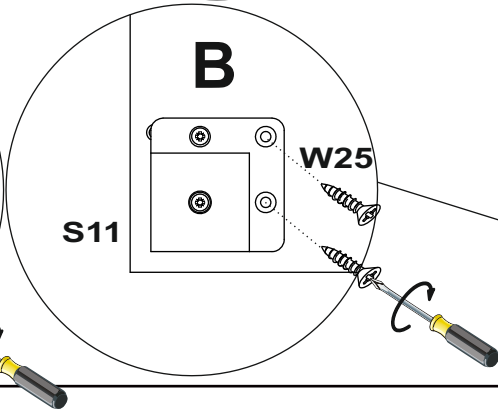
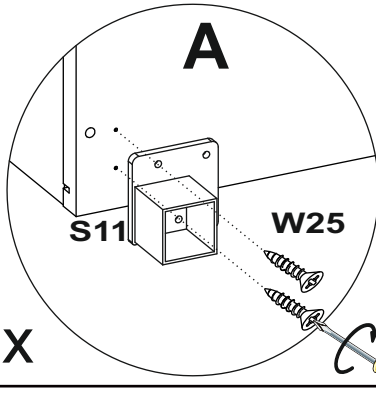
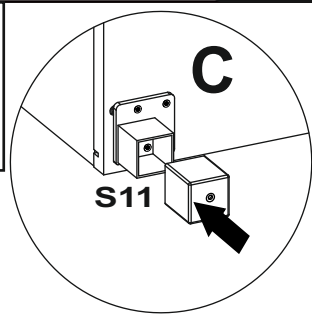
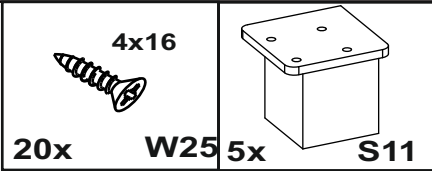
4



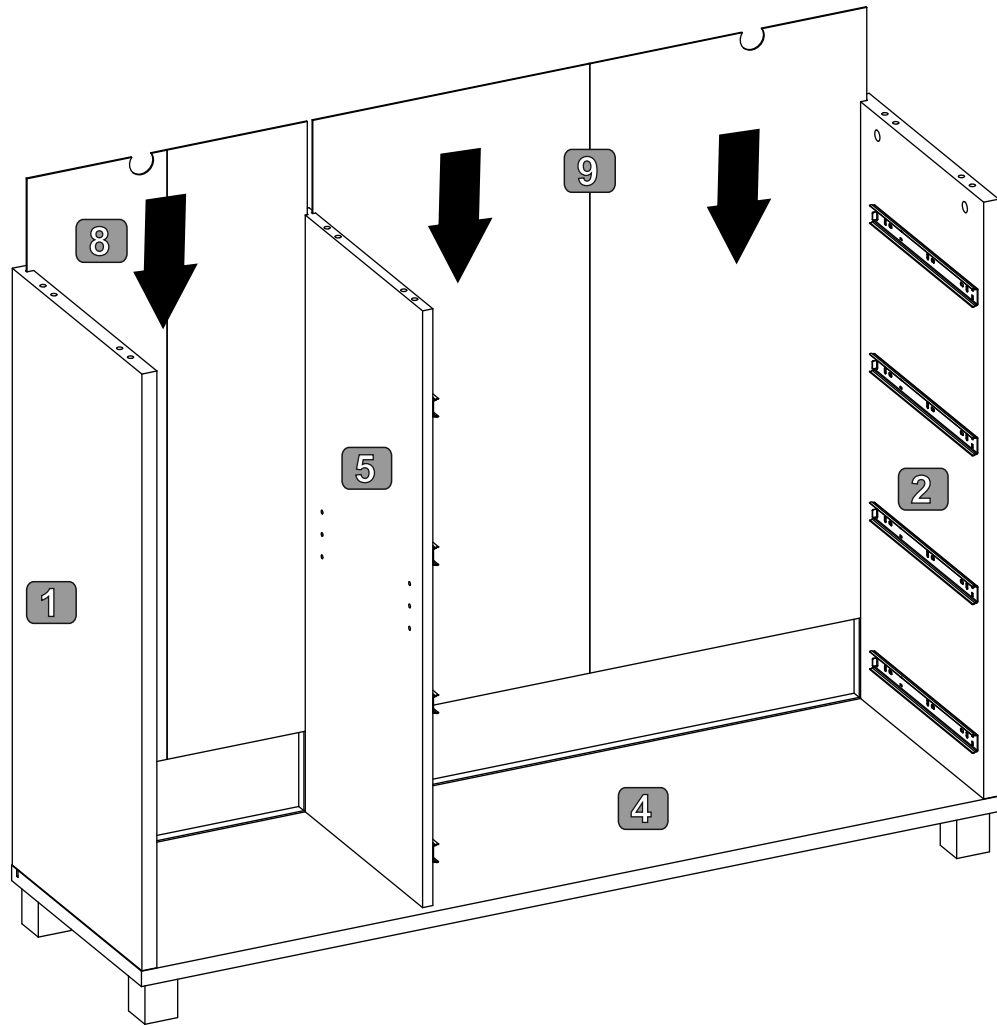
5



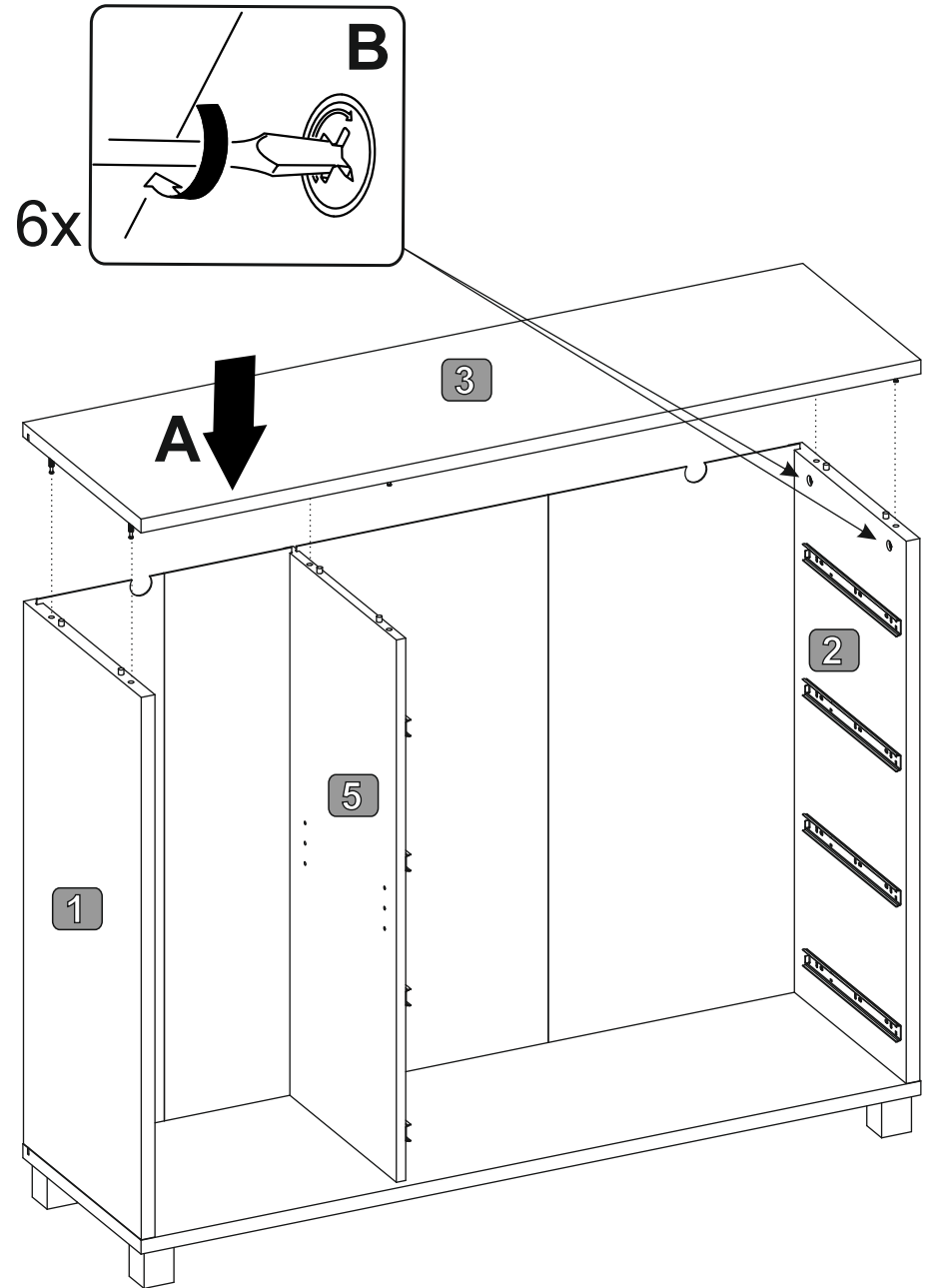
6



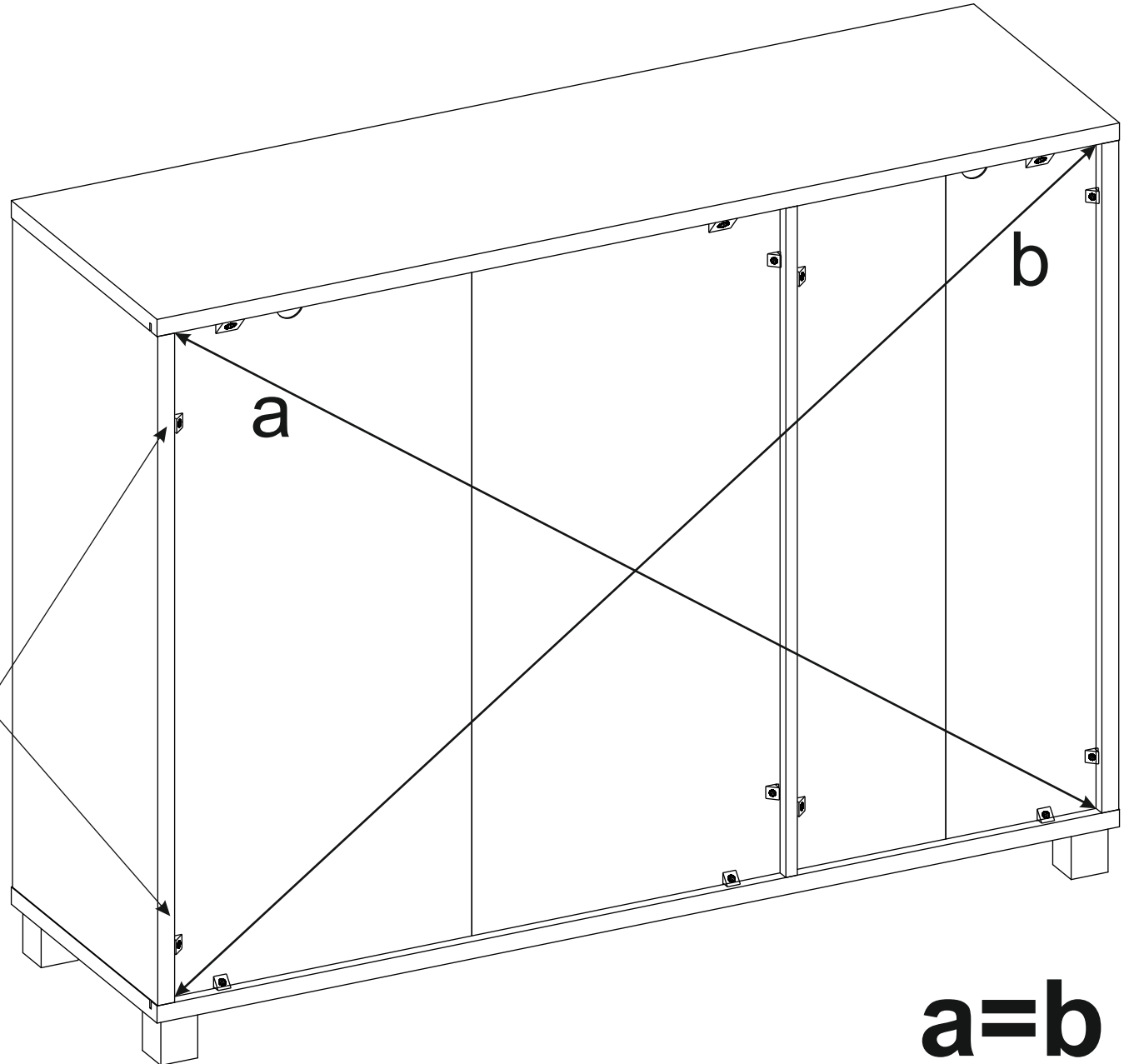
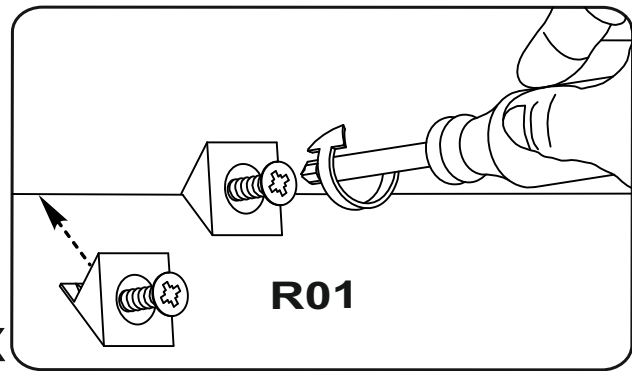
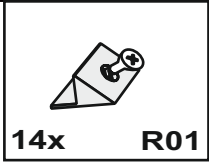
7



8



9

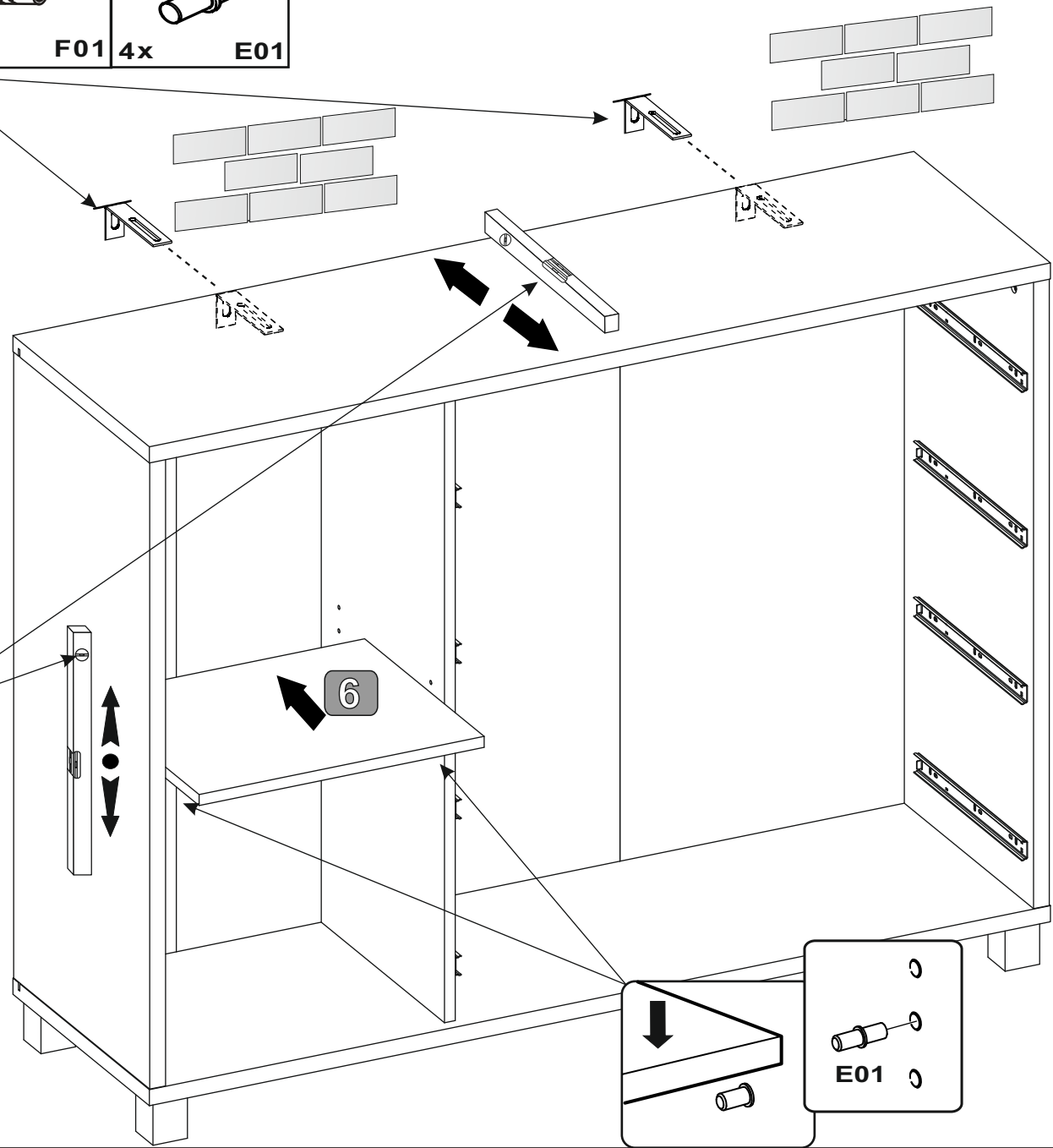
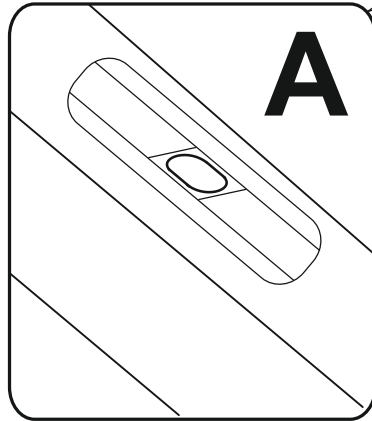
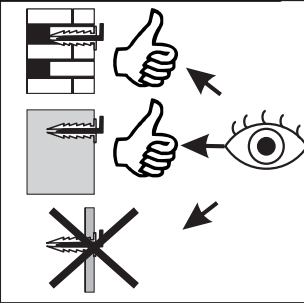
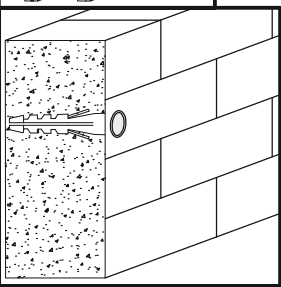
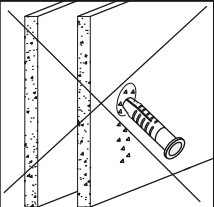
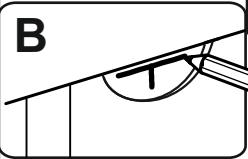
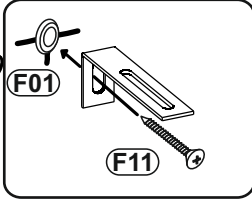
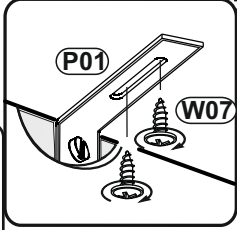
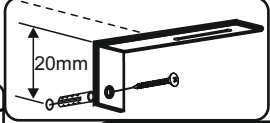


**a=b**



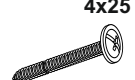
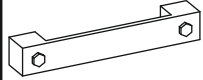


10

- 2x P01
- 4x W07
- 2x F11
- 2x F01
- 4x E01



11

2x		C01	8x		W02	10x		W05	5x		U41
----	---	-----	----	---	-----	-----	---	-----	----	--	-----

